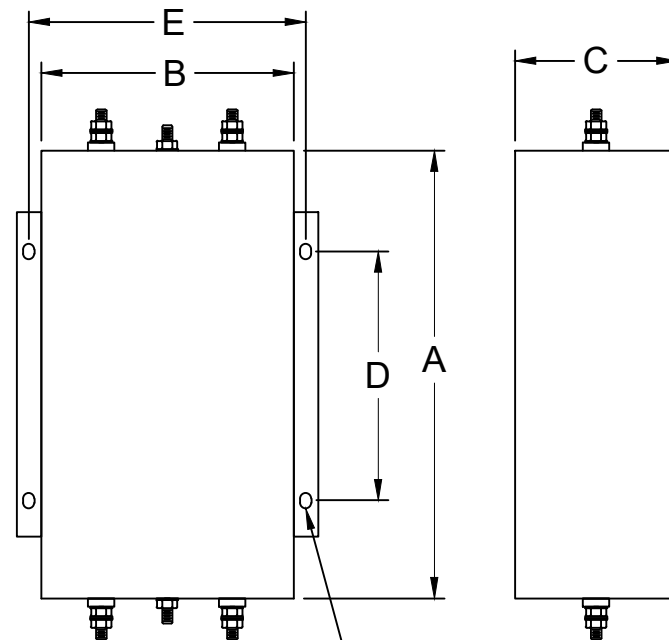


**PFMT2400S-30**  
**2-LINE + GND, 400HZ TEMPEST FILTER**

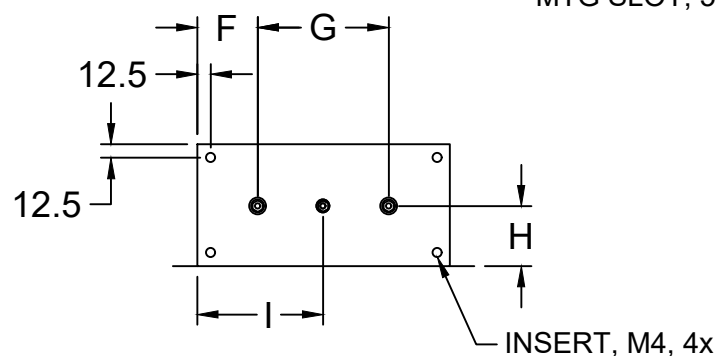
**SPECIFICATIONS**

- MAX VOLTAGE: 0-277/0-480VAC
- MAX CURRENT: 30A/LINE
- FREQUENCY: DC-400HZ
- OPERATING TEMP.: -40 TO 70C
- HI POT (L-G): 2200VDC  
 (PRIOR TO INSTALLING DISCHARGE RESISTORS)
- DISCHARGE VOLT. (@277V): <30V IN 30S
- PERFORMANCE: >100dB (14KHZ TO 20GHZ)
- DESIGNED IN ACCORDANCE WITH THE FOLLOWING STANDARDS:

  - UL1283
  - MIL-STD-220
  - MIL-F-15733
  - LV DIRECTIVE



MTG SLOT, 5.2 x 10, 4x



MODEL	AMPS	TERMINALS	DIMENSIONS, MM(IN)									WEIGHT LBS(KG)
			A	B	C	D	E	F	G	H	I	
PFMT2400S-30	30	M5	254 (10)	101.6 (4)	101.6 (4)	152.4 (6)	122 (4.8)	30 (1.18)	41.6 (1.64)	50.8 (2)	50.8 (2)	6.0(2.7)