



**PFMF302S-32
2-LINE + GND SCIF/TEMPEST FILTER**

SPECIFICATIONS

MAX VOLTAGE: 0-277/0-480VAC

MAX CURRENT: 32A/LINE

FREQUENCY: 50/60HZ

OPERATING TEMP.: -40 TO 65C

HIPOT (L-G): 2200VDC

(PRIOR TO INSTALLING DISCHARGE RESISTORS)

DISCHARGE VOLT. (@277V): <30V IN 30S

VOLT. DROP: <2% MAX AT FULL RATED UNITY LOAD

OVERLOAD: 140% RATED CURRENT FOR 15 MINUTES

PERFORMANCE: >100dB (14KHZ TO 40GHZ)

SHIELDING EFFECTIVENESS: >100dB (14KHZ TO 40GHZ)

ENCLOSURE: NEMA 1 (16GA MINIMUM)

MANUFACTURED IN ACCORDANCE WITH

THE FOLLOWING STANDARDS:

MIL-STD-220

MIL-F-15733

MIL-STD-810

MIL-STD-202

MIL-STD-285

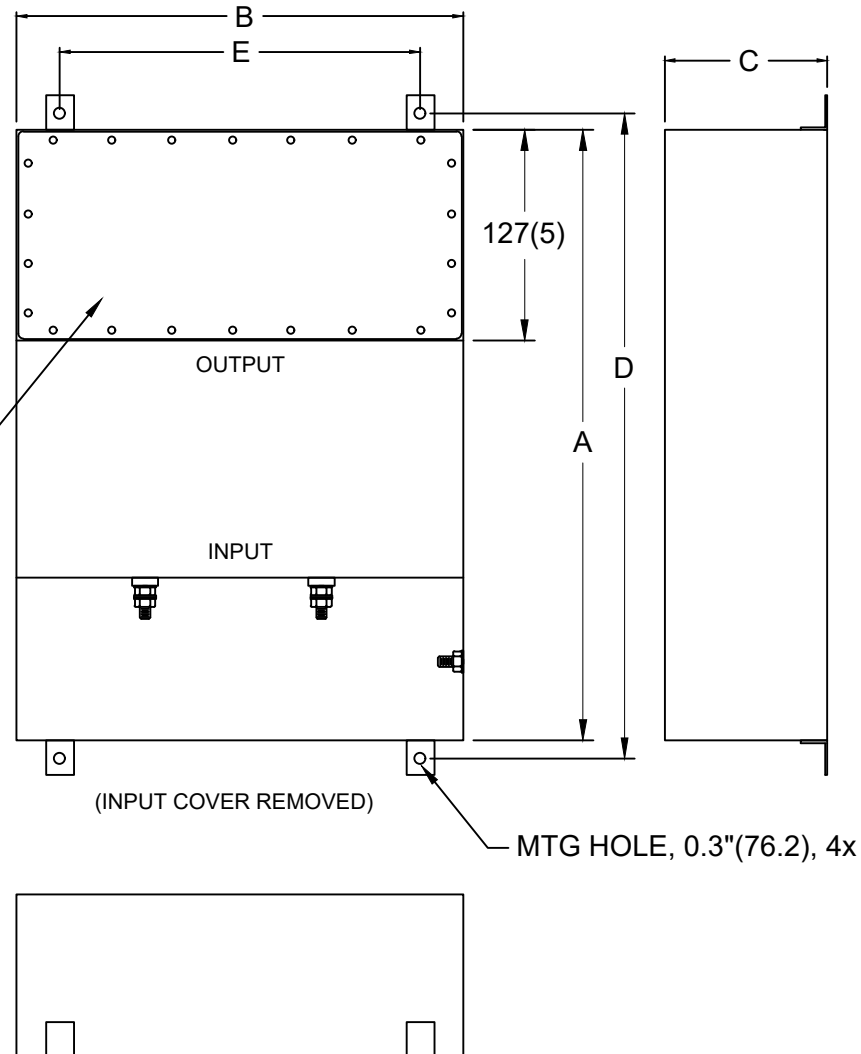
LV DIRECTIVE



CONFORMS TO
UL STD 1283

GASKETED OUTPUT
COMPARTMENT

EMI



NOTES:

1. CONDUIT CUTOUTS BY END USER.
2. FILTER IS BIDIRECTIONAL. IF INSTALLING FILTER INTERNAL TO SCIF RUN POWER INPUT WIRING INTO FILTER EMI GASKETED OUTPUT COMPARTMENT.
3. FILTER PROVIDED WITH QTY 4 CIRCULAR EMI GASKETS.

MODEL	AMPS	TERMINAL	DIMENSIONS, MM(IN)					WEIGHT LB(KG)
			A	B	C	D	E	
PFMF302S-32	32	M6	610 (24)	254 (10)	127 (5)	648 (25.5)	204 (8)	38 (17.3)