



**PFMF302S-63**  
**2-LINE + GND SCIF/FACILITY FILTER**

**SPECIFICATIONS**

MAX VOLTAGE: 0-277/0-480VAC

MAX CURRENT: 63A/LINE

FREQUENCY: 50/60HZ

OPERATING TEMP.: -40 TO 65C

HIPOT (L-G): 2200VDC

(PRIOR TO INSTALLING DISCHARGE RESISTORS)

DISCHARGE VOLT. (@277V): <30V IN 30S

VOLT. DROP: <2% MAX AT FULL RATED UNITY LOAD

OVERLOAD: 140% RATED CURRENT FOR 15 MINUTES

PERFORMANCE: 100dB (14KHZ TO 40GHZ)

MANUFACTURED IN ACCORDANCE WITH  
 THE FOLLOWING STANDARDS:

MIL-STD-220

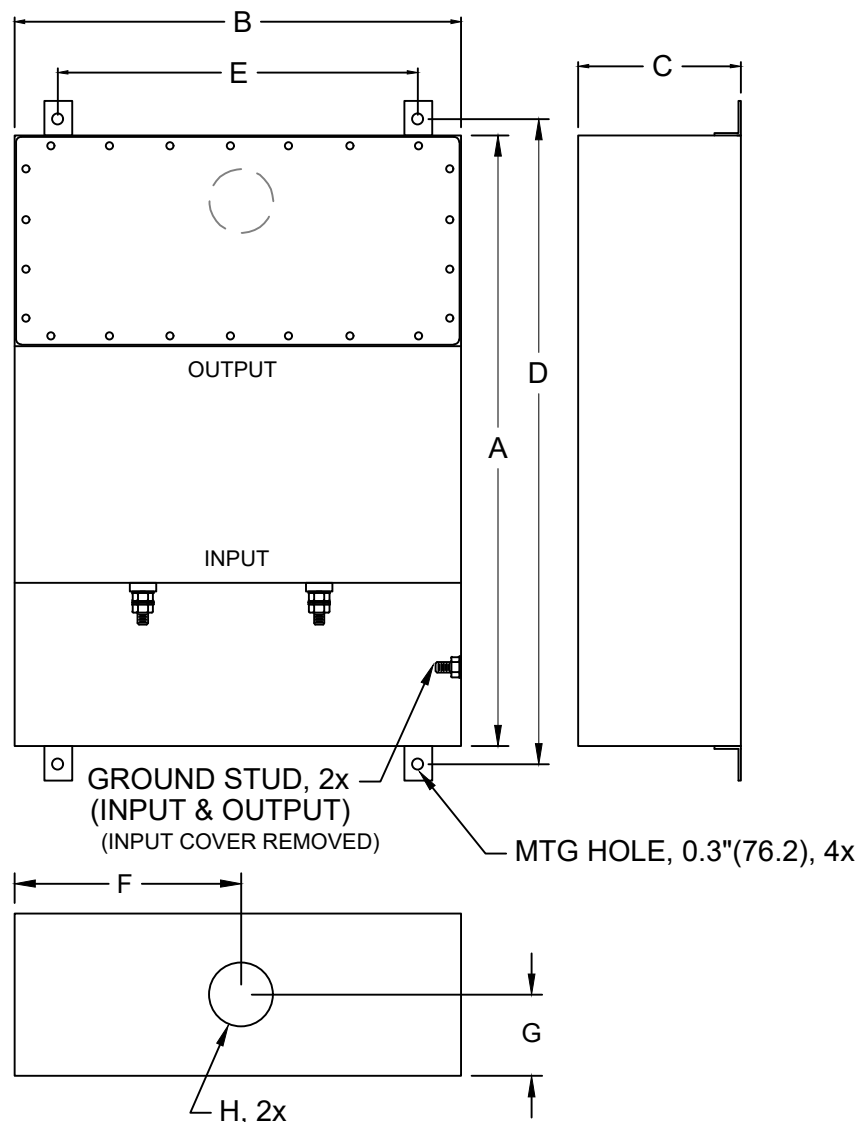
MIL-F-15733

MIL-STD-810

LV DIRECTIVE



CONFORMS TO  
 UL STD 1283



(FOR DIFFERENT CUTOUT SIZES OR LOCATIONS, CONSULT FACTORY)

MODEL	AMPS	TERMINAL	DIMENSIONS, MM(IN)								WEIGHT LB(KG)
			A	B	C	D	E	F	G	H	
PFMF302S-63	63	M10	838	305	165	876	255	153	83	50	65 (29.5)
			(33)	(12)	(6.5)	(34.5)	(10)	(6)	(3.27)	(2)	