



PFMF332S-150

3-LINE + GROUND SCIF/FACILITY FILTER

SPECIFICATIONS

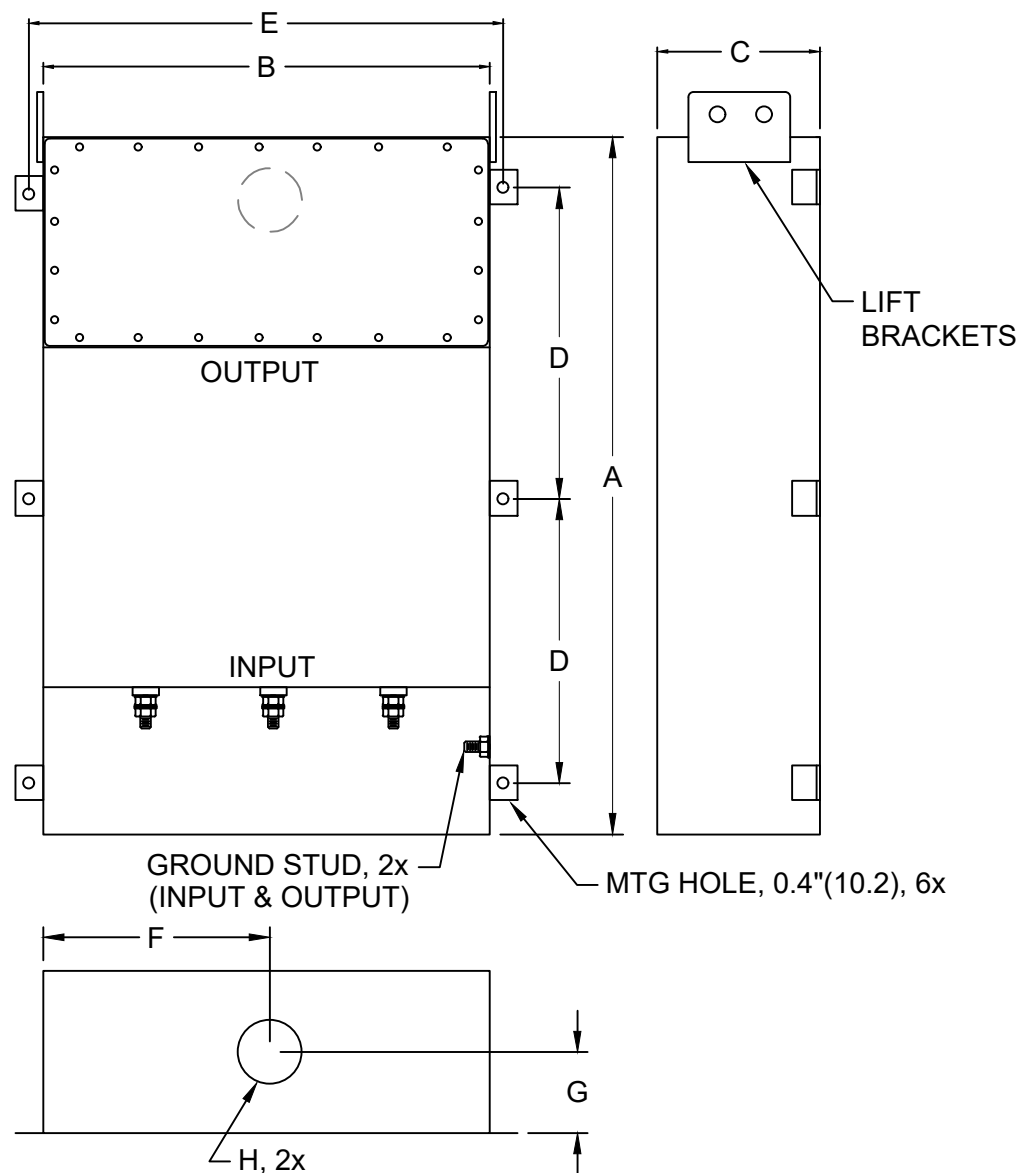
- MAX VOLTAGE: 0-277/0-480VAC
- MAX CURRENT: 150A/LINE
- FREQUENCY: 50/60HZ
- OPERATING TEMP.: -40 TO 65C
- HIPOT (L-G): 2200VDC
- DISCHARGE VOLT. (@277V): <30V IN 30S
- VOLT. DROP: <2% MAX AT FULL RATED UNITY LOAD
- OVERLOAD: 140% RATED CURRENT FOR 15 MINUTES
- PERFORMANCE: 100dB (14KHZ TO 40GHZ)

MANUFACTURED IN ACCORDANCE WITH
THE FOLLOWING STANDARDS:

- MIL-STD-220
- MIL-F-15733
- MIL-STD-810
- LV DIRECTIVE



CONFORMS TO
UL STD 1283



(FOR DIFFERENT CUTOUT SIZES OR LOCATIONS, CONSULT FACTORY)

MODEL	AMPS	TERMINAL	DIMENSIONS, MM(IN)								WEIGHT LBS(KG)
			A	B	C	D	E	F	G	H	
PFMF332S-150	150	M10	914	482	203	406	532	241	102	63	150 (68.2)
			(36)	(19)	(8)	(16)	(21)	(9.5)	(4)	(2.5)	