



PFMF332S-200
3-LINE + GROUND SCIF/FACILITY FILTER

SPECIFICATIONS

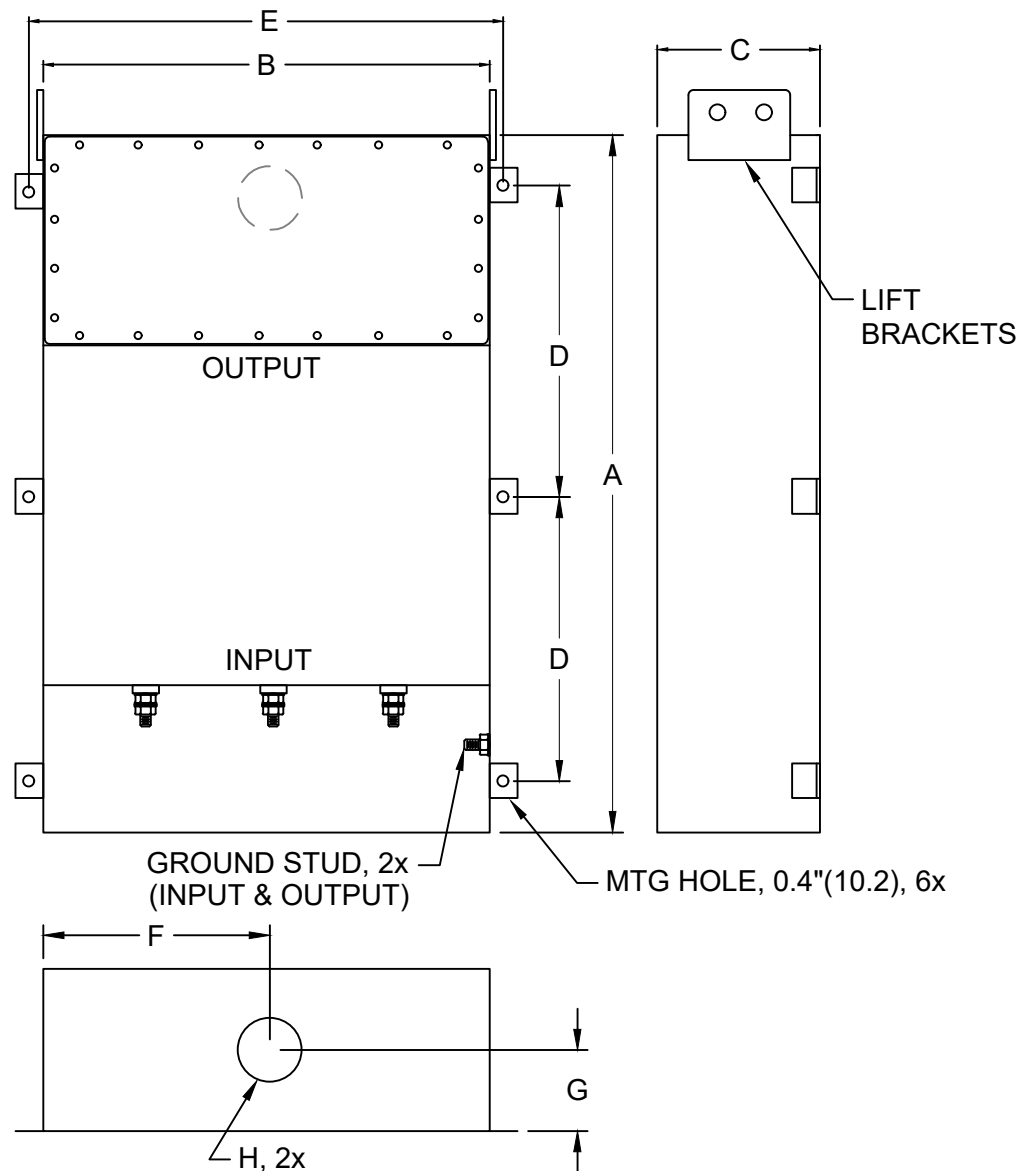
MAX VOLTAGE: 0-277/0-480VAC
 MAX CURRENT: 200A/LINE
 FREQUENCY: 50/60HZ
 OPERATING TEMP.: -40 TO 65C
 HIPOT (L-G): 2200VDC
 DISCHARGE VOLT. (@277V): <30V IN 30S
 VOLT. DROP: <2% MAX AT FULL RATED UNITY LOAD
 OVERLOAD: 140% RATED CURRENT FOR 15 MINUTES
 PERFORMANCE: 100dB (14KHZ TO 40GHZ)
 MANUFACTURED IN ACCORDANCE WITH

THE FOLLOWING STANDARDS:

MIL-STD-220
 MIL-F-15733
 MIL-STD-810
 LV DIRECTIVE



CONFORMS TO
 UL STD 1283



(FOR DIFFERENT CUTOUT SIZES OR LOCATIONS, CONSULT FACTORY)

MODEL	AMPS	TERMINAL	DIMENSIONS, MM(IN)								WEIGHT LBS(KG)	MTG LEGS
			A	B	C	D	E	F	G	H		OPTIONAL (PN)
PFMF332S-200	200	M12	1067	558	254	483	608	279	127	75	240 (109)	342250ML
			(42)	(22)	(10)	(19)	(24)	(11)	(5)	(3.0)		