



PFMF332S-250

3-LINE + GROUND SCIF/FACILITY FILTER

SPECIFICATIONS

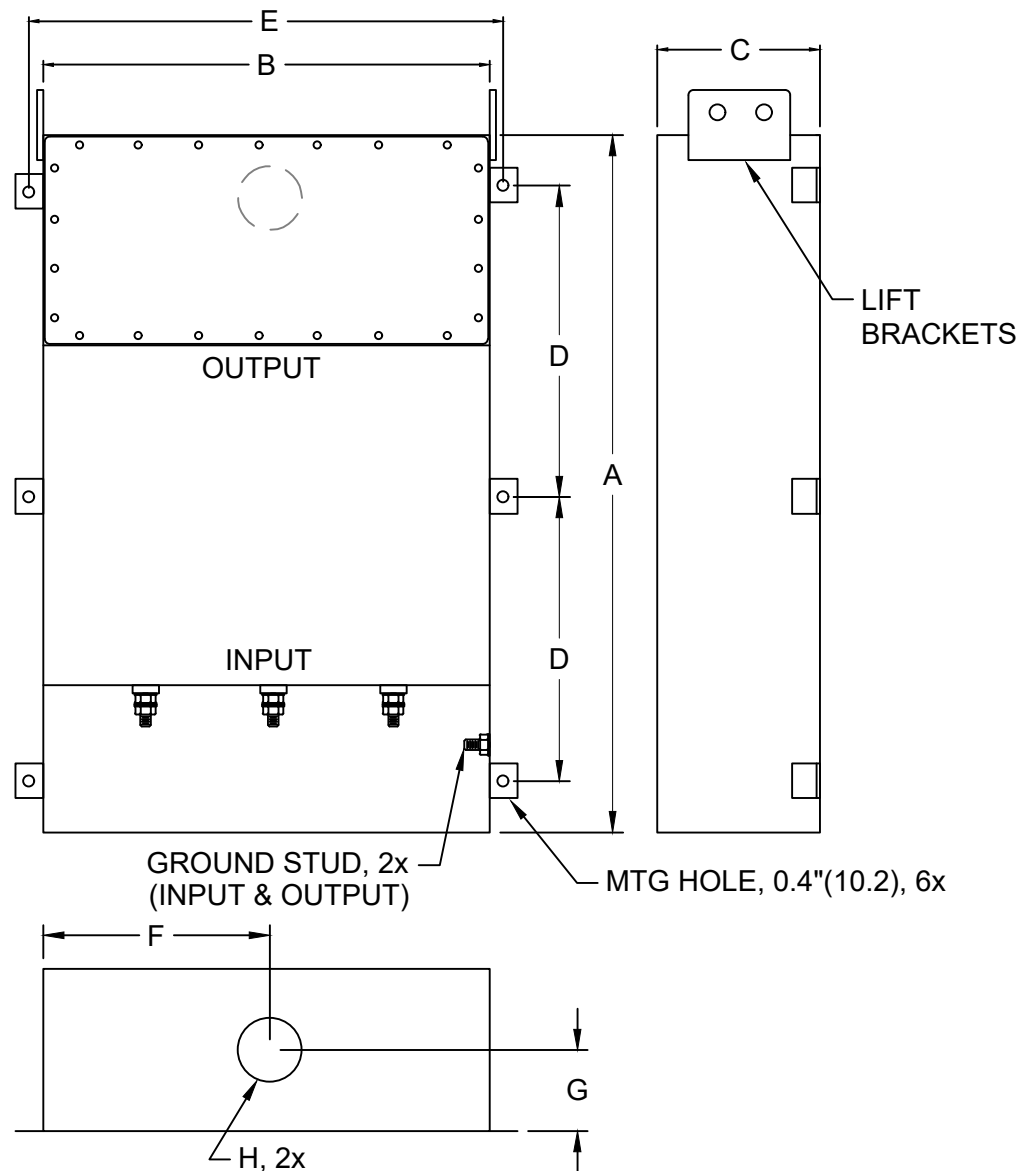
- MAX VOLTAGE: 0-277/0-480VAC
- MAX CURRENT: 250A/LINE
- FREQUENCY: 50/60HZ
- OPERATING TEMP.: -40 TO 65C
- HIPOT (L-G): 2200VDC
- DISCHARGE VOLT. (@277V): <30V IN 30S
- VOLT. DROP: <2% MAX AT FULL RATED UNITY LOAD
- OVERLOAD: 140% RATED CURRENT FOR 15 MINUTES
- PERFORMANCE: 100dB (14KHZ TO 40GHZ)
- MANUFACTURED IN ACCORDANCE WITH

THE FOLLOWING STANDARDS:

- MIL-STD-220
- MIL-F-15733
- MIL-STD-810
- LV DIRECTIVE



CONFORMS TO
UL STD 1283



(FOR DIFFERENT CUTOUT SIZES OR LOCATIONS, CONSULT FACTORY)

MODEL	AMPS	TERMINAL	DIMENSIONS, MM(IN)								WEIGHT LBS(KG)	MTG LEGS
			A	B	C	D	E	F	G	H		OPTIONAL (PN)
PFMF332S-250	250	M12	1067	558	254	483	608	279	127	75	240 (109)	342250ML
			(42)	(22)	(10)	(19)	(24)	(11)	(5)	(3.0)		