

PFMF342S-100
4-LINE + GROUND SCIF/FACILITY FILTER

SPECIFICATIONS

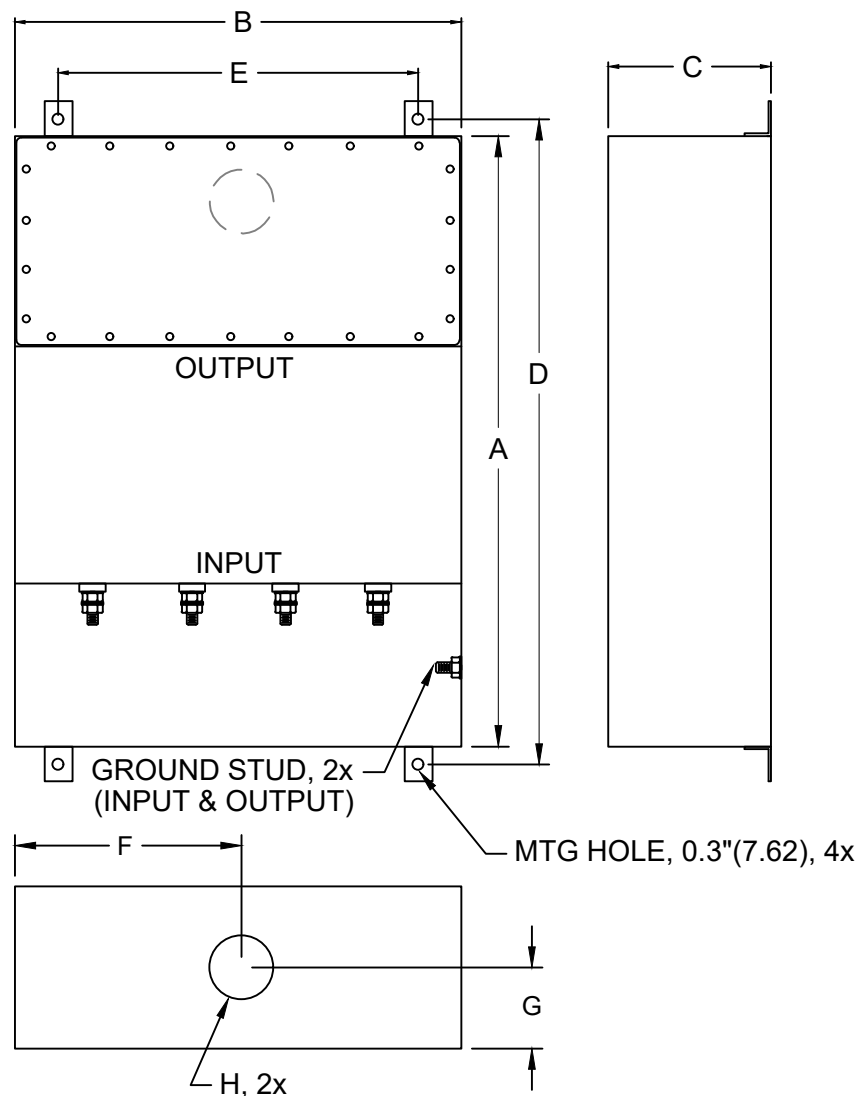
- MAX VOLTAGE: 0-277/0-480VAC
- MAX CURRENT/LINE: 100A
- FREQUENCY: 50/60HZ
- OPERATING TEMP.: -40 TO 65C
- HIPOT(LINE-GROUND): 2200VDC
- DISCHARGE VOLT. (@277V): <30V IN 30S
- VOLT. DROP: <2% AT FULL RATED UNITY LOAD
- OVERLOAD: 140% OF RATED CURRENT FOR 15 MINUTES
- PERFORMANCE: 100dB (14KHZ TO 40GHZ)
- MANUFACTURED IN ACCORDANCE WITH THE

FOLLOWING STANDARDS:

- MIL-STD-220
- MI-F-15733
- MIL-STD-810
- LV DIRECTIVE



CONFORMS TO
 UL STD 1283



(FOR DIFFERENT CUTOUT SIZES OR LOCATIONS, CONSULT FACTORY)

| MODEL | AMPS | TERMINAL | DIMENSIONS - MM (IN) | | | | | | | | WEIGHT LBS(KG) |
|--------------|------|----------|----------------------|------|-------|--------|------|------|--------|--------|----------------|
| | | | A | B | C | D | E | F | G | H | |
| PFMF342S-100 | 100 | M10 | 838 | 558 | 165 | 876 | 508 | 279 | 83 | 50 | 145 (66) |
| | | | (33) | (22) | (6.5) | (34.5) | (20) | (11) | (3.27) | (1.97) | |