

**PFMF342S-63**  
**4-LINE + GROUND SCIF/FACILITY FILTER**

**SPECIFICATIONS**

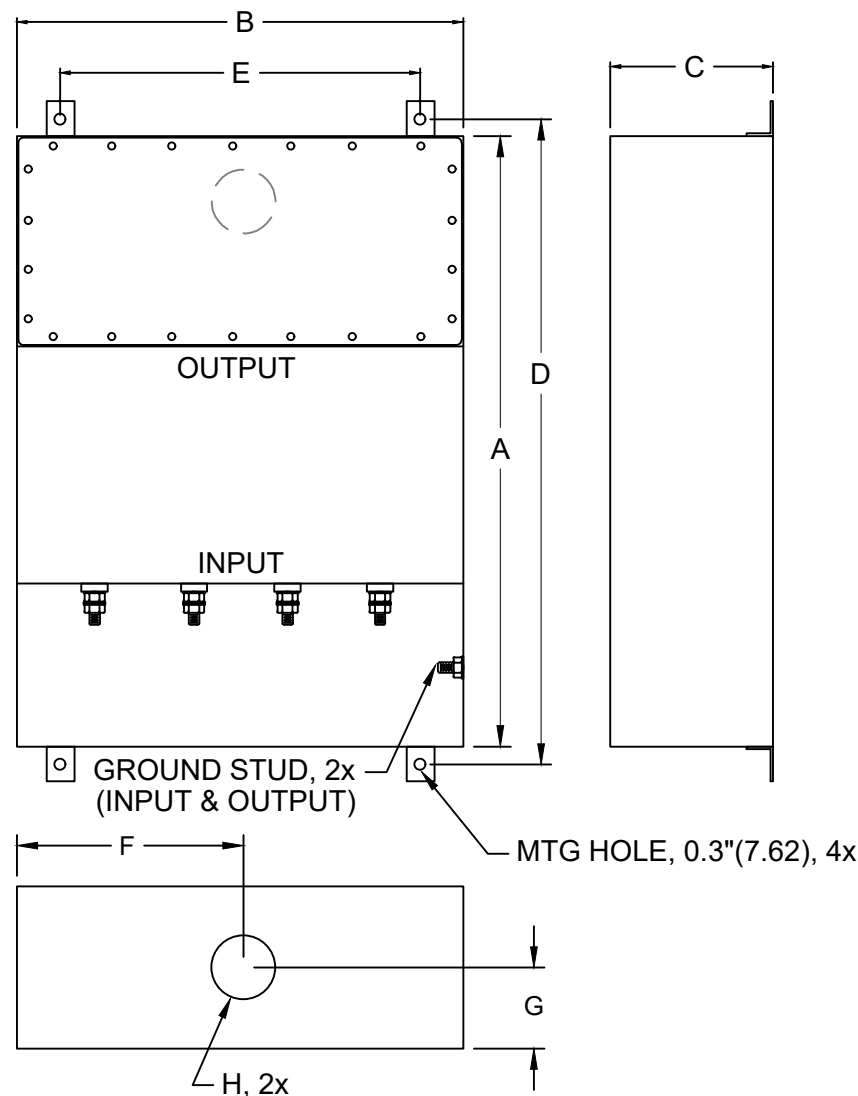
- MAX VOLTAGE: 0-277/0-480VAC
- MAX CURRENT/LINE: 63A
- FREQUENCY: 50/60HZ
- OPERATING TEMP.: -40 TO 65C
- HIPOT(LINE-GROUND): 2200VDC
- DISCHARGE VOLT. (@277V): <30V IN 30S
- VOLT. DROP: <2% AT FULL RATED UNITY LOAD
- OVERLOAD: 140% OF RATED CURRENT FOR 15 MINUTES
- PERFORMANCE: 100dB (14KHZ TO 40GHZ)
- MANUFACTURED IN ACCORDANCE WITH THE

**FOLLOWING STANDARDS:**

- MIL-STD-220
- MI-F-15733
- MIL-STD-810
- LV DIRECTIVE



CONFORMS TO  
 UL STD 1283



(FOR DIFFERENT CUTOUT SIZES OR LOCATIONS, CONSULT FACTORY)

MODEL	AMPS	TERMINAL	DIMENSIONS - MM (IN)								WEIGHT LBS(KG)
			A	B	C	D	E	F	G	H	
PFMF342S-63	63	M10	838	558	165	876	508	279	83	50	145 (66)
			(33)	(22)	(6.5)	(34.5)	(20)	(11)	(3.27)	(1.97)	