

PFMF370-100-2
2-LINE + GND SCIF/FACILITY FILTER

SPECIFICATIONS

MAX VOLTAGE: 0-277/0-480VAC

MAX CURRENT: 100A/LINE

FREQUENCY: 50/60HZ

OPERATING TEMP.: -40 TO 65C

HIPOT (L-G): 2200VDC

(PRIOR TO INSTALLING DISCHARGE RESISTORS)

DISCHARGE VOLT. (@277V): <30V in 30S

VOLT. DROP: <2% MAX AT FULL RATED UNITY LOAD

OVERLOAD: 140% RATED CURRENT FOR 15 MINUTES

PERFORMANCE: 100dB (14KHZ TO 40GHZ)

MANUFACTURED IN ACCORDANCE WITH
 THE FOLLOWING STANDARDS:

MIL-STD-220

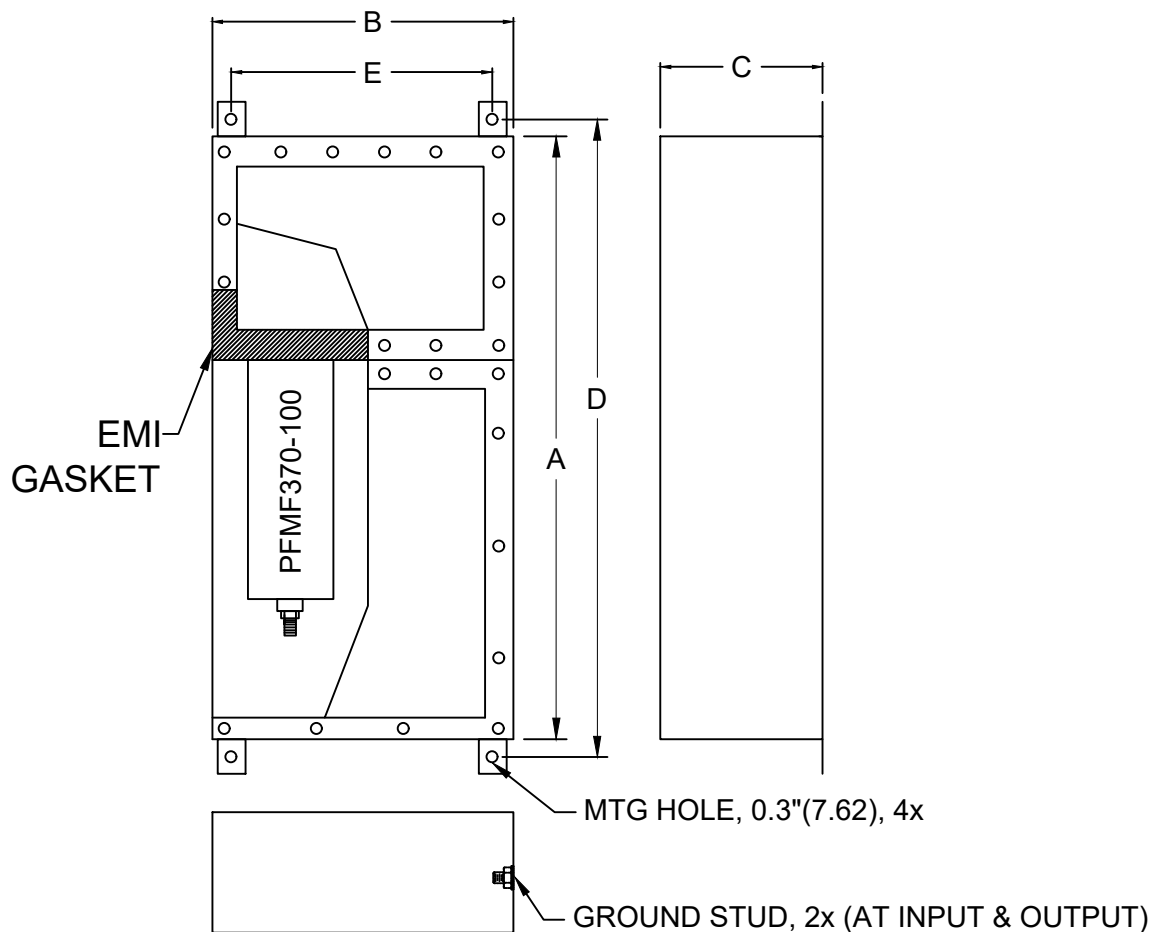
MIL-F-15733

MIL-STD-810

LV DIRECTIVE



CONFORMS TO
 UL STD 1283



INPUT AND OUTPUT CONDUIT/WIRE PENETRATIONS BY END USER.

MODEL	AMPS	TERMINAL	DIMENSIONS - MM (IN)					WEIGHT LBS(KG)
			A	B	C	D	E	
PFMF370-100-2	100	M10	1067 (42)	355 (14)	185 (7.3)	1105 (43.5)	305 (12)	120 (54.5)