



PFMF860DLT-8
8-LINE DATA SCIF/FACILITY FILTER
(E.G. 64KB DATA)
DC-200KHZ PASSBAND
600/300 OHMS (L-L/L-G)

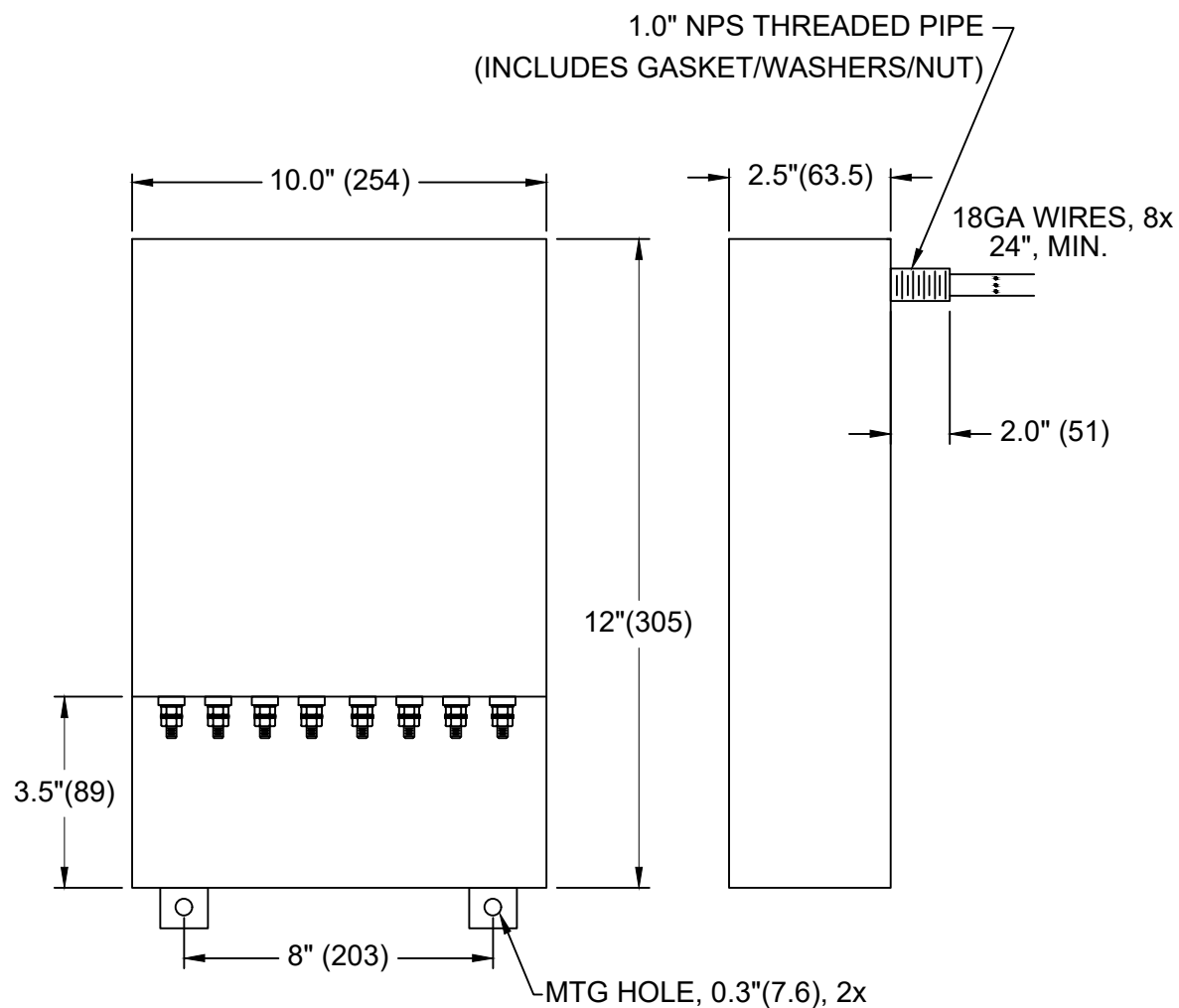
SPECIFICATIONS

MAX VOLTAGE: 0-250VAC/0-250VDC
OPERATING FREQUENCY: DC-60HZ
RATED CURRENT: 5A/LINE
AMBIENT TEMP.: -40 TO 65C
HIPOT (L-G): 1000VDC
TERMINALS: M5
PERFORMANCE: 100dB (3MHZ TO 20GHZ)
TYP. WEIGHT, LBS (KG): 15 (6.8)

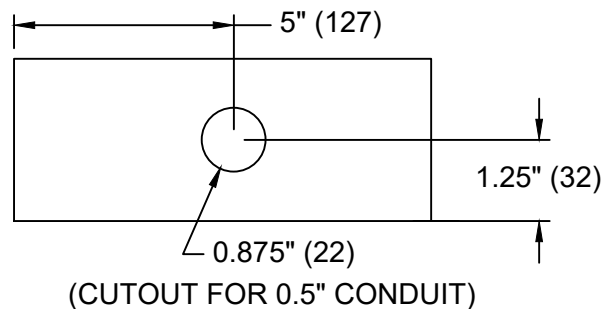
ADDITIONAL DETAILS:

1. FOR INDOOR CONTROLLED ENVIRONMENTS
2. ALL EMI SEAMS 100% WELDED
3. FOR DIFFERENT CONDUIT CUTOUT OR HOLE LOCATION, CONSULT FACTORY

SPECIFICATIONS SUBJECT TO CHANGE



(COVER REMOVED FOR CLARITY)



(CUTOUT FOR 0.5" CONDUIT)