



**PFMF870DLT-2**  
**2-LINE DATA SCIF/FACILITY FILTER**  
**(E.G. RS485 TO 115KHZ)**  
**DC-250KHZ PASSBAND**  
**100/50 OHMS (L-L/L-G)**

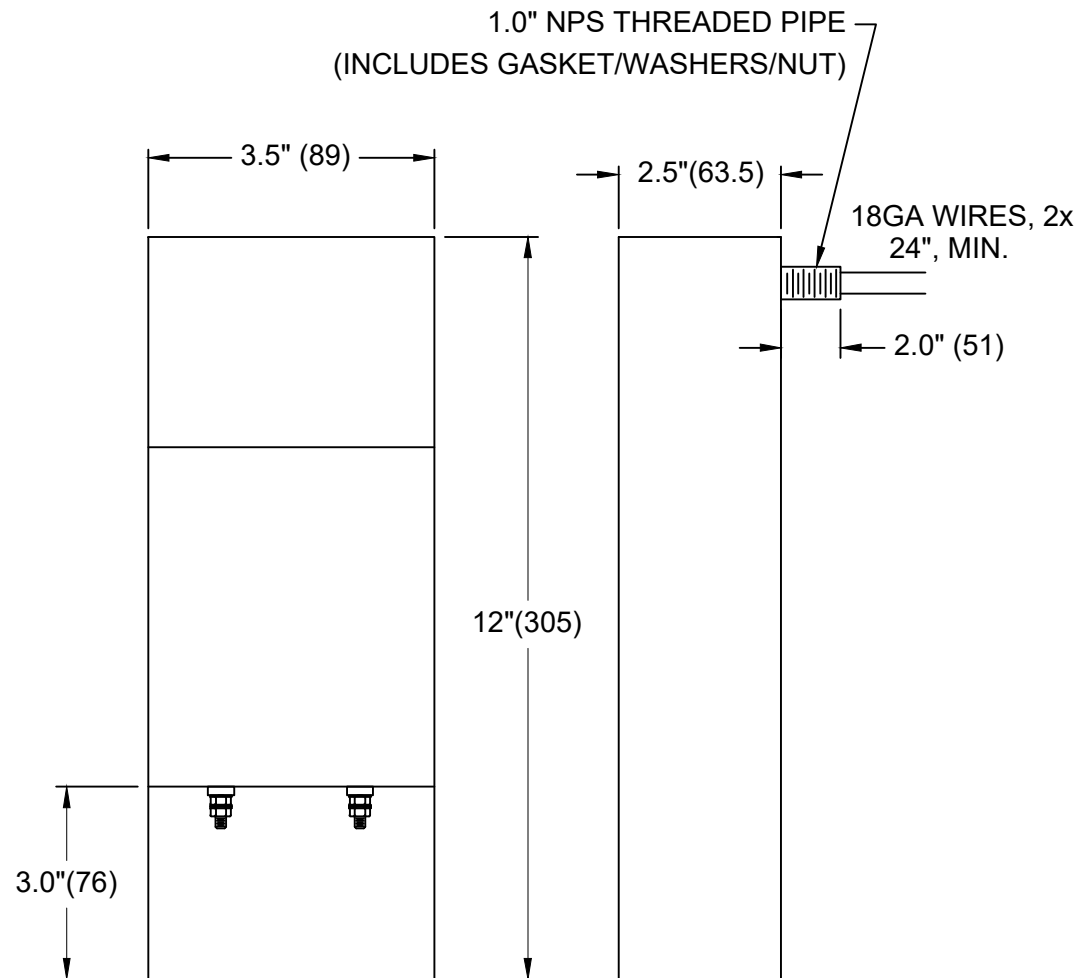
**SPECIFICATIONS**

MAX VOLTAGE: 0-250VAC/0-250VDC  
OPERATING FREQUENCY: DC-60HZ  
RATED CURRENT: 4A/LINE  
AMBIENT TEMP.: -40 TO 65C  
HIPOT (L-G): 1000VDC  
TERMINALS: M5  
PERFORMANCE: 100dB (5MHZ TO 20GHZ)  
TYP. WEIGHT, LBS (KG): 8 (3.6)

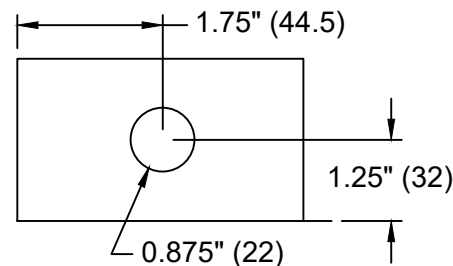
**ADDITIONAL DETAILS:**

1. FOR INDOOR CONTROLLED ENVIRONMENTS
2. ALL EMI SEAMS 100% WELDED
3. FOR DIFFERENT CONDUIT CUTOUT OR HOLE LOCATION, CONSULT FACTORY

SPECIFICATIONS SUBJECT TO CHANGE



(COVER REMOVED FOR CLARITY)



(CUTOUT FOR 0.5" CONDUIT)