

PFMF920MR-32-3
3-LINE + GND MRI FACILITY FILTER

SPECIFICATIONS

MAX VOLTAGE: 0-277/0-480VAC

MAX CURRENT: 32A/LINE

FREQUENCY: 50/60HZ

OPERATING TEMP.: -40 TO 65C

HI POT (L-G): 2200VDC

(PRIOR TO INSTALLING DISCHARGE RESISTORS)

DISCHARGE VOLT. (@277V): <30V IN 30S

VOLT. DROP: <1% MAX AT FULL RATED UNITY LOAD

PERFORMANCE: >100dB (5MHZ TO 20GHZ)

MANUFACTURED IN ACCORDANCE WITH
 THE FOLLOWING STANDARDS:

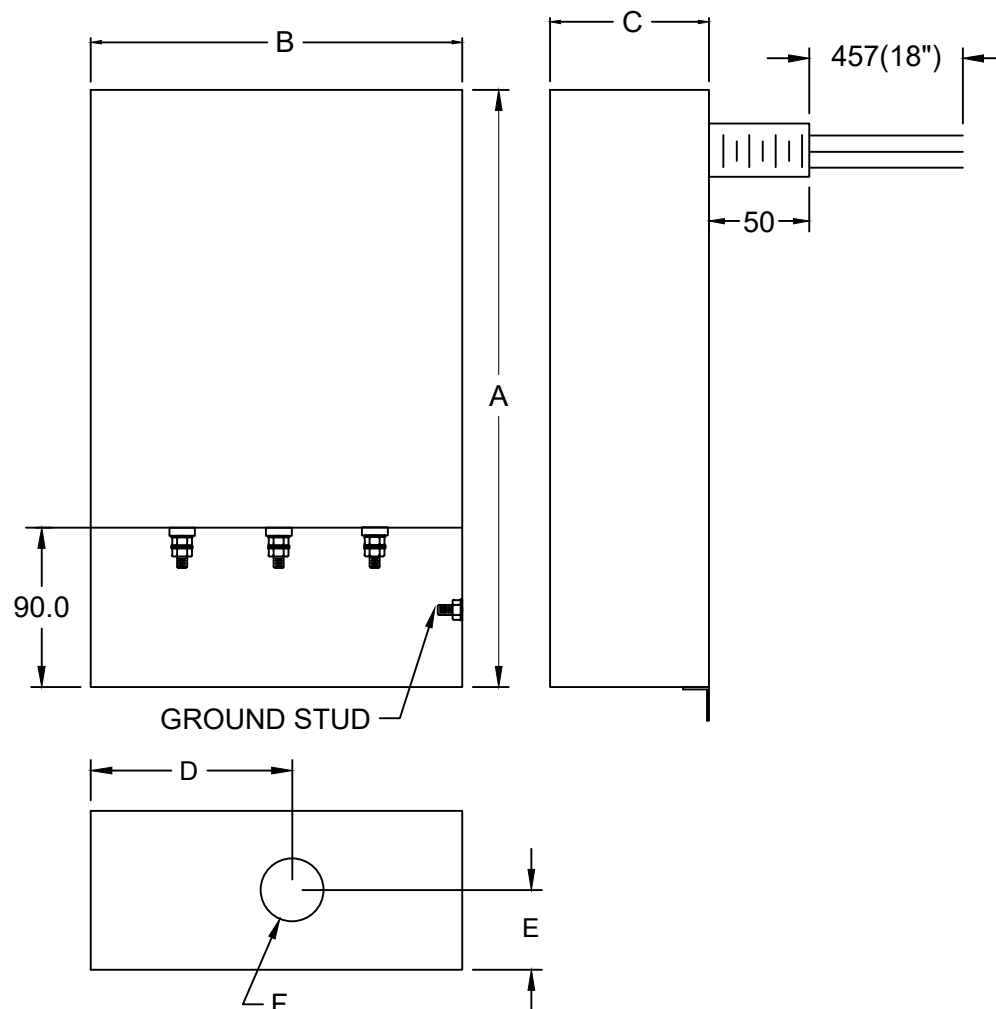
MIL-STD-220

MIL-F-15733

LV DIRECTIVE



CONFORMS TO
 UL STD 1283



FOR DIFFERENT CUTOUT SIZES OR LOCATIONS, CONSULT FACTORY
 (OUTPUT PIPE INCLUDES ALL HARDWARE AND GASKET)

MODEL	AMPS	TERMINAL	DIMENSIONS - MM (IN)						WEIGHT LBS(KG)	O/P PIPE	O/P WIRE(GA)
			A	B	C	D	E	F			
PFMF920MR-32-3	32	M5	305	127	64	63.5	32	35	11 (5)	1.0" NPS	10
			(12)	(5)	(2.5)	(2.5)	(1.26)	(1.38)			