

**PFMT222S-16**  
**2-LINE + GND TEMPEST FILTER**  
**100dB@10KHZ**

**SPECIFICATIONS**

MAX VOLTAGE: 0-277/0-480VAC

MAX CURRENT: 16A/LINE

FREQUENCY: 50/60HZ

OPERATING TEMP.: -40 TO 70C

HI POT (L-G): 2200VDC

(PRIOR TO INSTALLING DISCHARGE RESISTORS)

DISCHARGE VOLT. (@277V): <30V IN 30S

OVERLOAD: 140% RATED CURRENT FOR 15 MINUTES

PERFORMANCE: >100dB (10KHZ TO 20GHZ)

DESIGNED IN ACCORDANCE WITH THE  
 FOLLOWING STANDARDS:

MIL-STD-220

MIL-F-15733

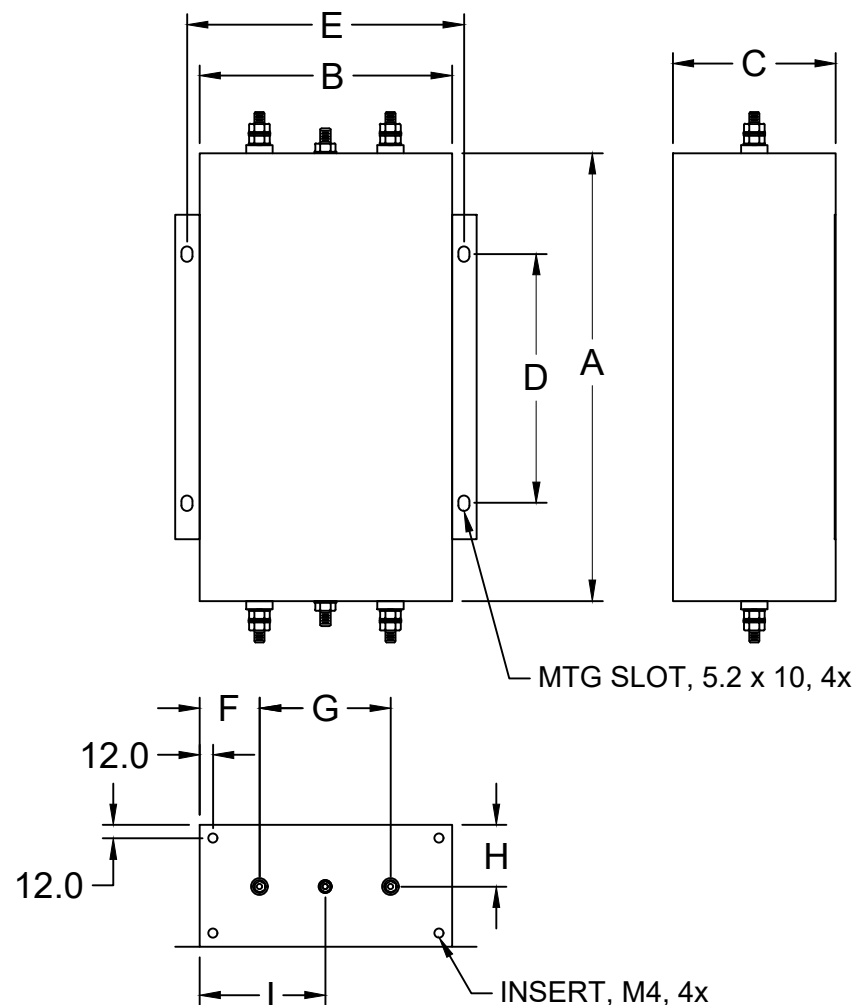
MIL-STD-810

LV DIRECTIVE



5025116

CONFORMS TO  
 UL STD 1283



MODEL	AMPS	TERMINALS	DIMENSIONS (MM)									WEIGHT LBS(KG)
			A	B	C	D	E	F	G	H	I	
PFMT222S-16	16	M5	127	102	70	76	120	30	42	35	51	4.0 (1.8)
			(5)	(4)	(2.75)	(3)	(4.7)	(1.2)	(1.65)	(1.38)	(2)	