

PFMT222S-32
2-LINE + GND TEMPEST FILTER
100dB@10KHZ

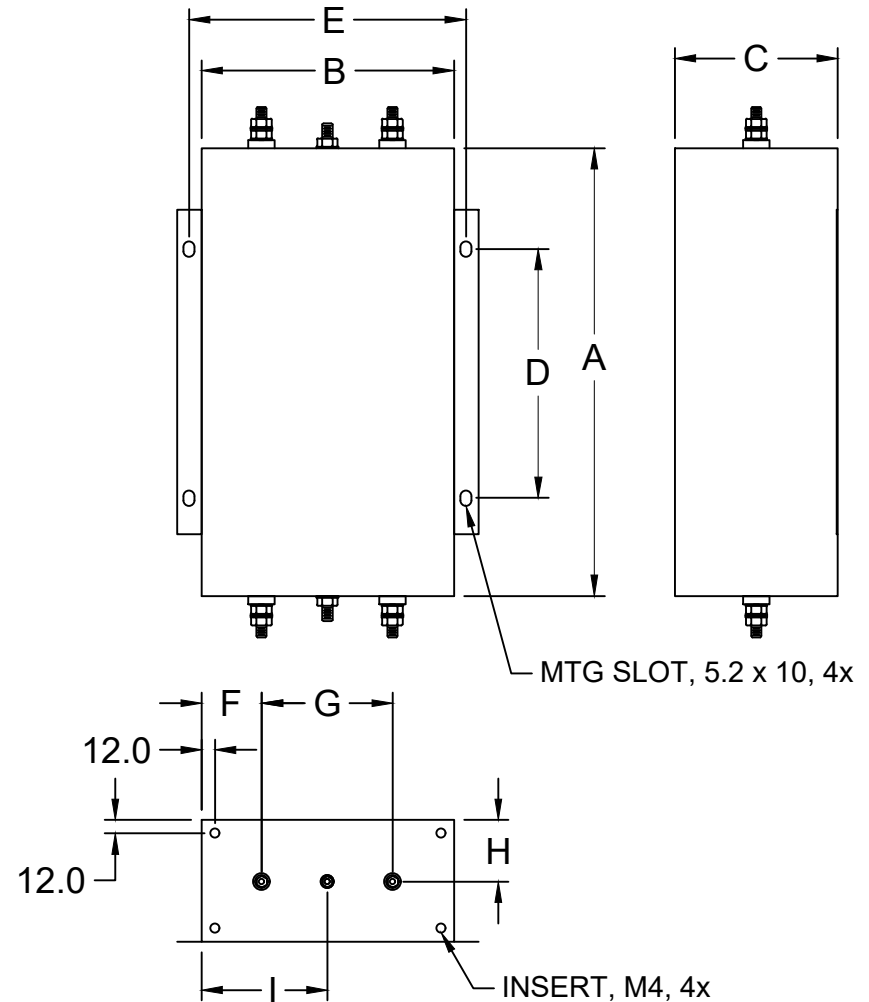
SPECIFICATIONS

MAX VOLTAGE: 0-277/0-480VAC
 MAX CURRENT: 32A/LINE
 FREQUENCY: 50/60HZ
 OPERATING TEMP.: -40 TO 70C
 HIPOT (L-G): 2200VDC
 (PRIOR TO INSTALLING DISCHARGE RESISTORS)
 DISCHARGE VOLT. (@277V): <30V IN 30S
 OVERLOAD: 140% RATED CURRENT FOR 15 MINUTES
 PERFORMANCE: >100dB (10KHZ TO 20GHZ)
 DESIGNED IN ACCORDANCE WITH THE
 FOLLOWING STANDARDS:

MIL-STD-220
 MIL-F-15733
 MIL-STD-810
 LV DIRECTIVE



CONFORMS TO
 UL STD 1283



| MODEL | AMPS | TERMINALS | DIMENSIONS (MM) | | | | | | | | | WEIGHT LBS(KG) |
|-------------|------|-----------|-----------------|-----|--------|-----|-------|-------|--------|--------|-----|----------------|
| | | | A | B | C | D | E | F | G | H | I | |
| PFMT222S-32 | 32 | M5 | 127 | 102 | 70 | 76 | 120 | 30 | 42 | 35 | 51 | 4.0 (1.8) |
| | | | (5) | (4) | (2.75) | (3) | (4.7) | (1.2) | (1.65) | (1.38) | (2) | |