

**PFMT2400S-60**  
**2-LINE + GND, 400HZ TEMPEST FILTER**

**SPECIFICATIONS**

MAX VOLTAGE: 0-277/0-480VAC

MAX CURRENT: 60A/LINE

FREQUENCY: DC-400HZ

OPERATING TEMP.: -40 TO 70C

HI POT (L-G): 2200VDC

(PRIOR TO INSTALLING DISCHARGE RESISTORS)

DISCHARGE VOLT. (@277V): <30V IN 30S

PERFORMANCE: >100dB (14KHZ TO 20GHZ)

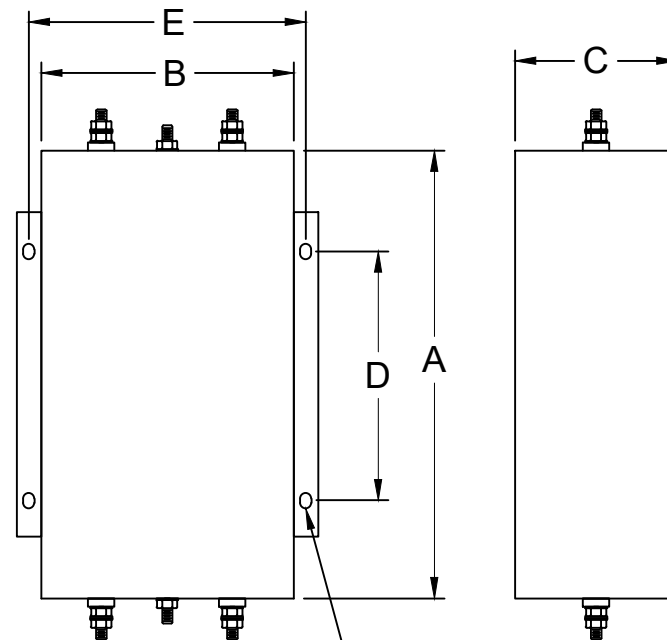
DESIGNED IN ACCORDANCE WITH THE  
 FOLLOWING STANDARDS:

UL1283

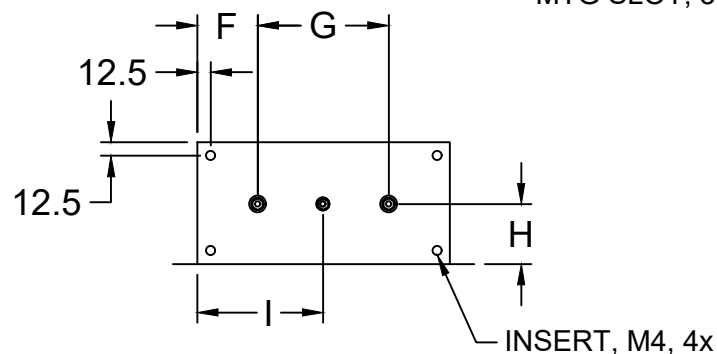
MIL-STD-220

MIL-F-15733

LV DIRECTIVE



MTG SLOT, 5.2 x 10, 4x



INSERT, M4, 4x

MODEL	AMPS	TERMINALS	DIMENSIONS, MM(IN)									WEIGHT LBS(KG)
			A	B	C	D	E	F	G	H	I	
PFMT2400S-60	60	M5	305 (12)	127 (5)	127 (5)	203 (8)	147 (5.8)	35 (1.38)	57 (2.24)	63.5 (2.5)	63.5 (2.5)	6.0(2.7)