

PFMT333S-10
3-LINE + GND TEMPEST FILTER
100dB@10KHZ

SPECIFICATIONS

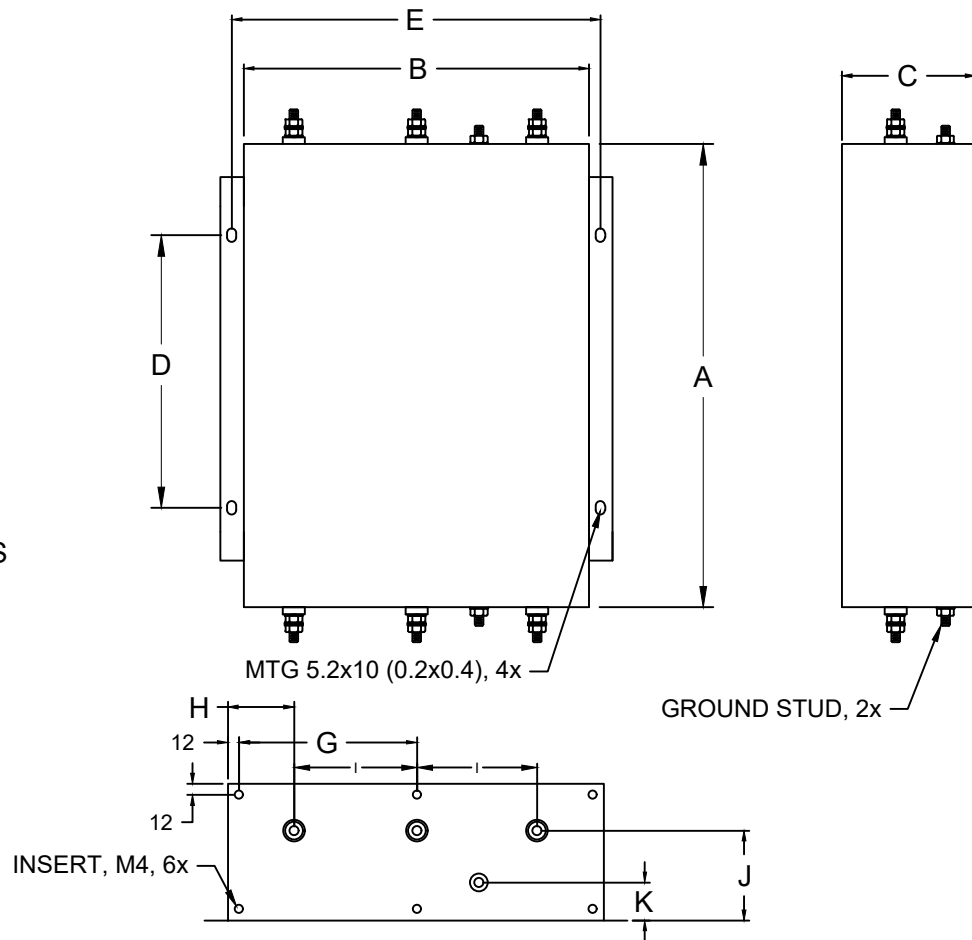
MAX VOLTAGE: 0-277/0-480VAC
 MAX CURRENT: 10A/LINE
 FREQUENCY: 50/60HZ
 OPERATING TEMP.: -40 TO 70C
 HIPOT (L-G): 2200VDC
 (PRIOR TO ADDING DISCHARGE RESISTORS)
 DISCHARGE VOLT. (@277V): <30V IN 30S
 OVERLOAD: 140% RATED CURRENT FOR 15 MINUTES
 PERFORMANCE: >100dB (10KHZ TO 20GHZ)
 DESIGNED IN ACCORDANCE WITH THE
 FOLLOWING STANDARDS:

MIL-STD-220
 MIL-F-15733
 MIL-STD-810
 LV DIRECTIVE



CONFORMS TO
 UL STD 1283

5025116



MODEL	AMPS	TERMINALS	DIMENSIONS - MM (IN)											WEIGHT LBS(KG)
			A	B	C	D	E	G	H	I	J	K		
PFMT333S-10	10	M5	152	120	90	102	140	48	30	30	53	32	6.0(2.7)	
			(6)	(4.7)	(3.5)	(4)	(5.5)	(1.9)	(1.2)	(1.2)	(2)	(1.3)		