

PFMT3400S-10
3-LINE + GND, 400HZ TEMPEST FILTER

SPECIFICATIONS

MAX VOLTAGE: 0-277/0-480VAC

MAX CURRENT: 10A/LINE

FREQUENCY: 50/60/400HZ

OPERATING TEMP.: -40 TO 70C

HIPOT (L-G): 2200VDC

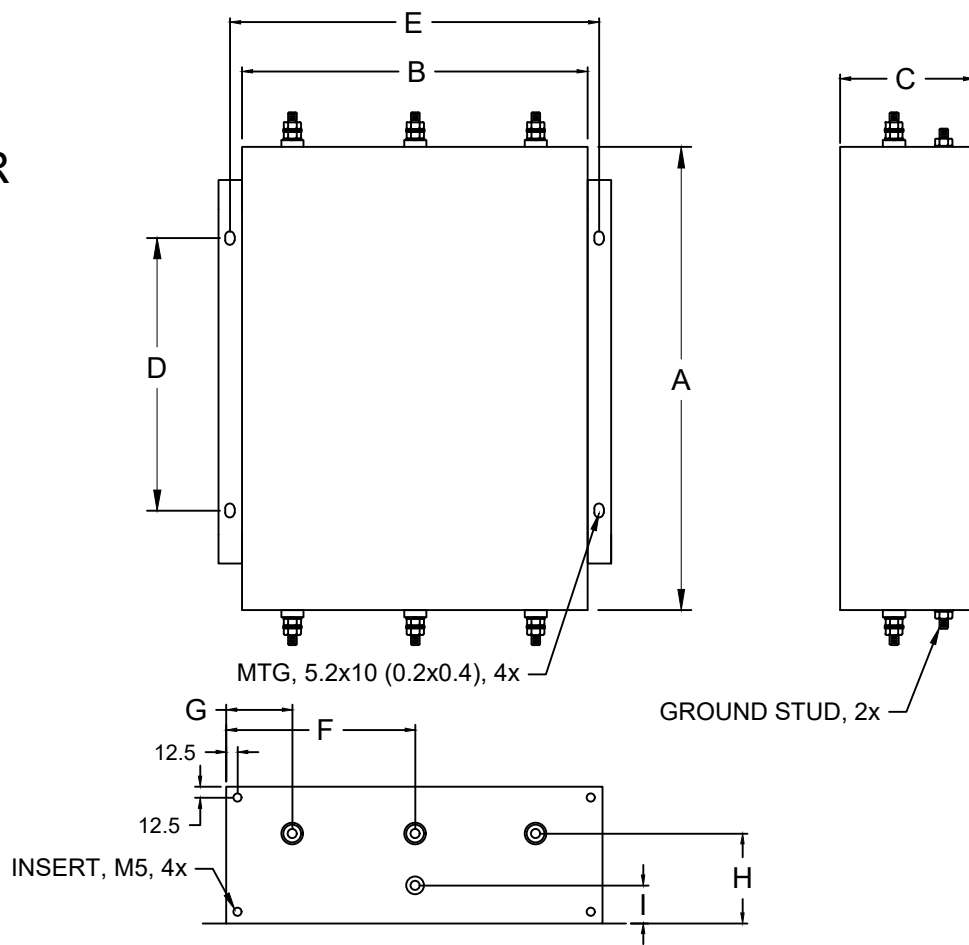
(PRIOR TO ADDING DISCHARGE RESISTORS)

DISCHARGE VOLT. (@277V): <30V IN 30S

PERFORMANCE: 100dB (14KHZ TO 20GHZ)

DESIGNED IN ACCORDANCE WITH THE
 FOLLOWING STANDARDS:

- UL1283
- MIL-STD-220
- MIL-F-15733
- LV DIRECTIVE



| MODEL | AMPS | TERMINALS | DIMENSIONS, MM(IN) | | | | | | | | | WEIGHT LBS(KG) |
|--------------|------|-----------|--------------------|------------|--------------|--------------|--------------|---------------|--------------|---------------|--------------|----------------|
| | | | A | B | C | D | E | F | G | H | I | |
| PFMT3400S-10 | 10 | M5 | 305 (12) | 127 (5) | 114 (4.5) | 203.2 (8) | 147 (5.8) | 63.5 (2.5) | 35 (1.38) | 76.2 (3.0) | 35 (1.38) | 10(4.5) |