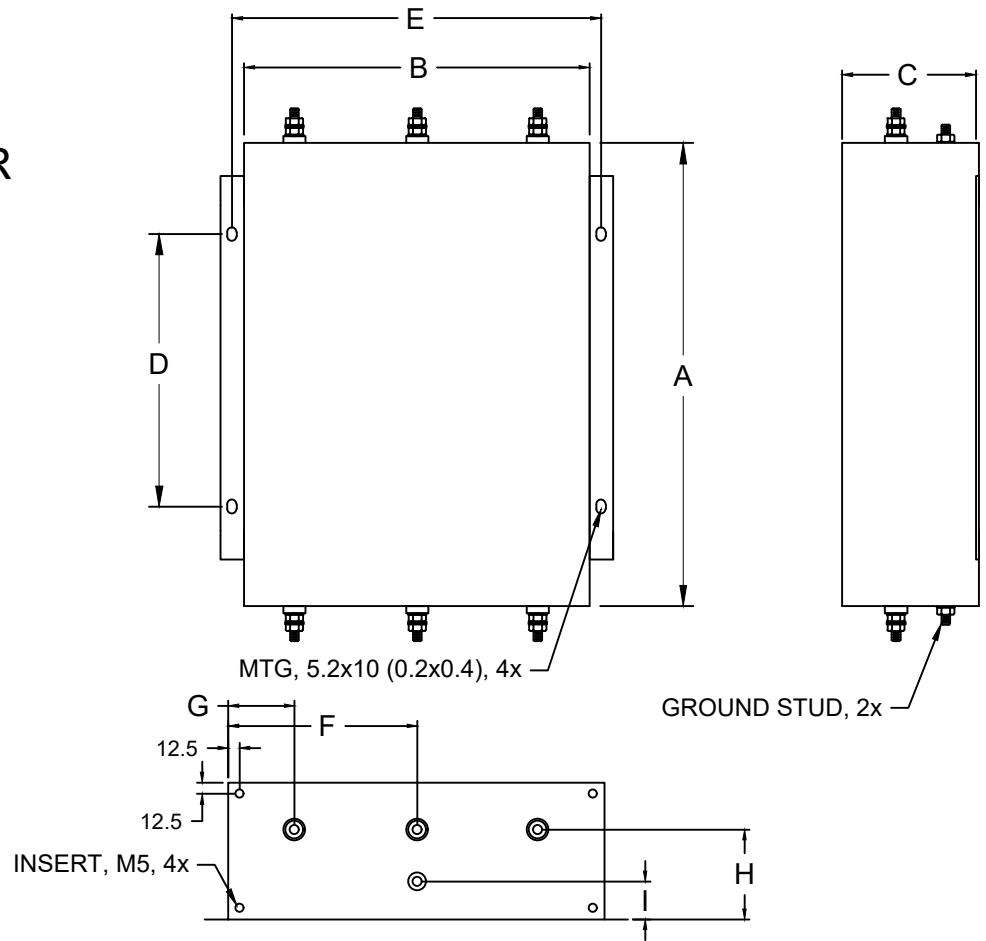


**PFMT3400S-100**  
**3-LINE + GND, 400HZ TEMPEST FILTER**

**SPECIFICATIONS**

MAX VOLTAGE: 0-277/0-480VAC  
 MAX CURRENT: 100A/LINE  
 FREQUENCY: 50/60/400HZ  
 OPERATING TEMP.: -40 TO 70C  
 HIPOT (L-G): 2200VDC  
 (PRIOR TO ADDING DISCHARGE RESISTORS)  
 DISCHARGE VOLT. (@277V): <30V IN 30S  
 PERFORMANCE: 100dB (14KHZ TO 20GHZ)  
 DESIGNED IN ACCORDANCE WITH THE  
 FOLLOWING STANDARDS:  
 UL1283  
 MIL-STD-220  
 MIL-F-15733  
 LV DIRECTIVE



MODEL	AMPS	TERMINALS	DIMENSIONS, MM(IN)									WEIGHT LBS(KG)
			A	B	C	D	E	F	G	H	I	
PFMT3400S-100	100	M6	457 (18)	178 (7)	152 (6)	356 (14)	198 (7.8)	89 (3.5)	40 (1.57)	95 (3.74)	45 (1.77)	32(14.5)