

PFMT3400S-60
3-LINE + GND, 400HZ TEMPEST FILTER

SPECIFICATIONS

MAX VOLTAGE: 0-277/0-480VAC

MAX CURRENT: 60A/LINE

FREQUENCY: 50/60/400HZ

OPERATING TEMP.: -40 TO 70C

HIPOT (L-G): 2200VDC

(PRIOR TO ADDING DISCHARGE RESISTORS)

DISCHARGE VOLT. (@277V): <30V IN 30S

PERFORMANCE: 100dB (14KHZ TO 20GHZ)

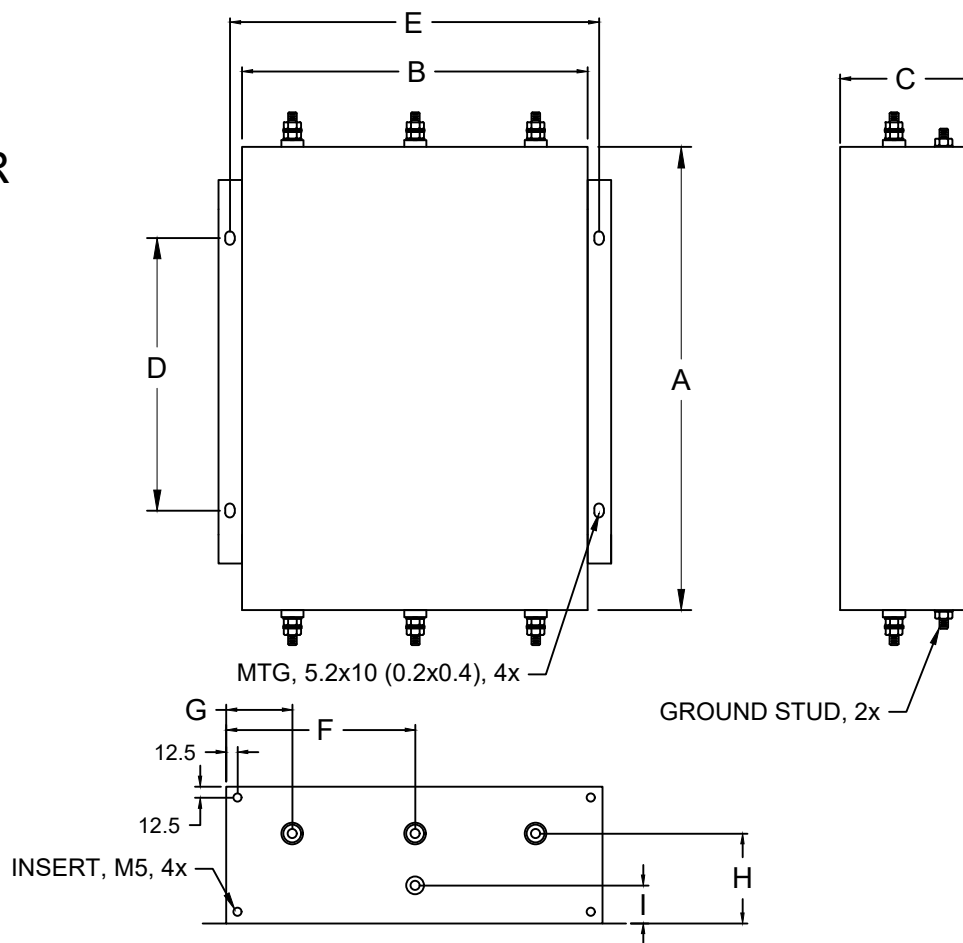
DESIGNED IN ACCORDANCE WITH THE
 FOLLOWING STANDARDS:

UL1283

MIL-STD-220

MIL-F-15733

LV DIRECTIVE



MODEL	AMPS	TERMINALS	DIMENSIONS, MM(IN)									WEIGHT LBS(KG)
			A	B	C	D	E	F	G	H	I	
PFMT3400S-60	60	M5	356 (14)	152 (6)	127 (5)	254 (10)	173 (6.8)	76.2 (3)	40 (1.57)	80 (3.25)	40 (1.57)	18(8.2)