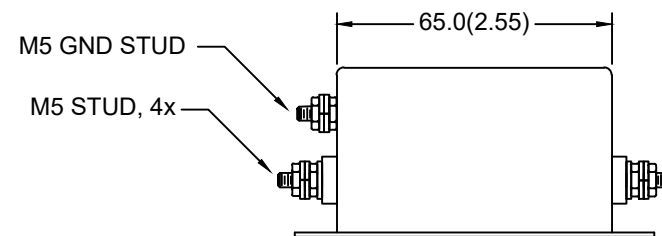
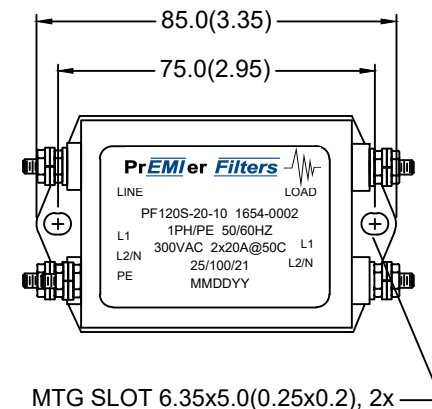
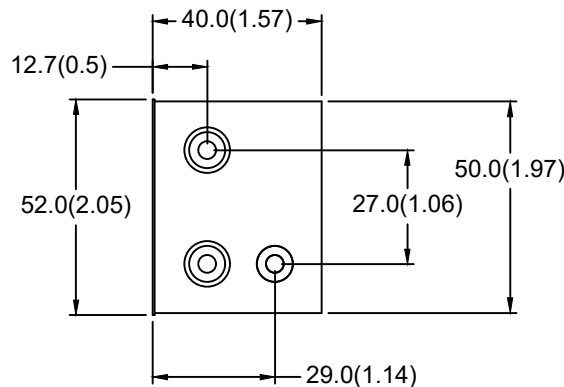


PF120S-20-10

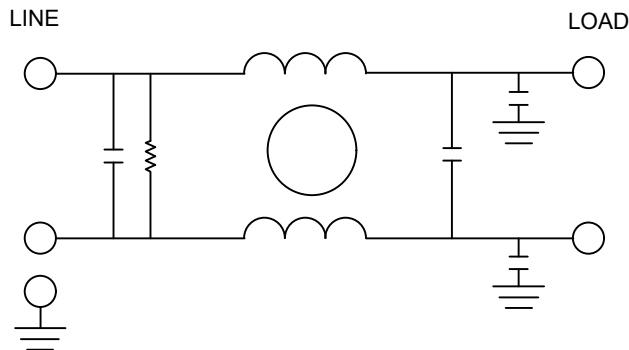
1PH COMMERCIAL/INDUSTRIAL FILTER
SINGLE STAGE / CHASSIS MOUNT

SPECIFICATIONS

MAX VOLTAGE: 0-300VAC
 MAX CURRENT: 20A/LINE
 USABLE FREQUENCY: 50/60/400HZ
 OPERATING TEMP.: -40 TO 50C
 LEAKAGE CURRENT (250V/60HZ): <1mA
 TYP. WEIGHT, LB(KG): 0.45(0.2)
 CLIMATIC CLASS: 25/100/21
 DESIGNED AND MANUFACTURED IN ACCORDANCE
 WITH THE FOLLOWING STANDARDS:
 EN60939-3
 CSA22.2 NO. 8
 LV DIRECTIVE



SCHEMATIC



| TYPICAL INSERTION LOSS, 50/50 OHM | | | | | |
|-----------------------------------|------|------|----|-----|-----|
| FREQ(HZ) | 150K | 500K | 1M | 10M | 30M |
| CM, dB | 44 | 48 | 56 | 50 | 42 |
| DM, dB | 28 | 37 | 52 | 60 | 62 |