

PF120S-30-10

1PH COMMERCIAL/INDUSTRIAL FILTER  
SINGLE STAGE / CHASSIS MOUNT

## SPECIFICATIONS

MAX VOLTAGE: 0-300VAC

MAX CURRENT: 30A/LINE

USABLE FREQUENCY: 50/60/400HZ

OPERATING TEMP.: -40 TO 50C

LEAKAGE CURRENT (250V/60HZ): <1mA

TYP. WEIGHT, LB(KG): 0.45(0.2)

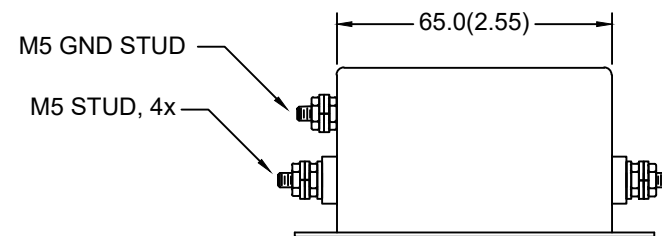
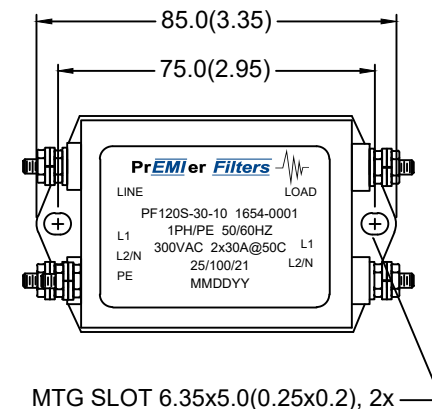
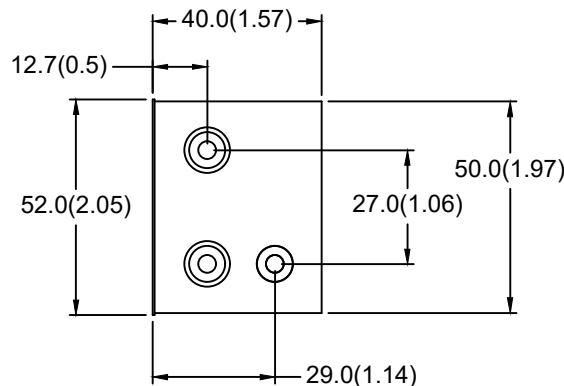
CLIMATIC CLASS: 25/100/21

DESIGNED AND MANUFACTURED IN ACCORDANCE  
WITH THE FOLLOWING STANDARDS:

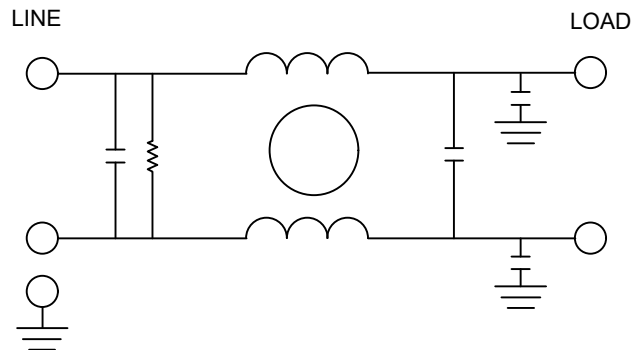
EN60939-3

CSA22.2 NO. 8

LV DIRECTIVE



## SCHEMATIC



TYPICAL INSERTION LOSS, 50/50 OHM					
FREQ(HZ)	150K	500K	1M	10M	30M
CM,dB	44	48	56	50	42
DM, dB	28	37	52	60	62