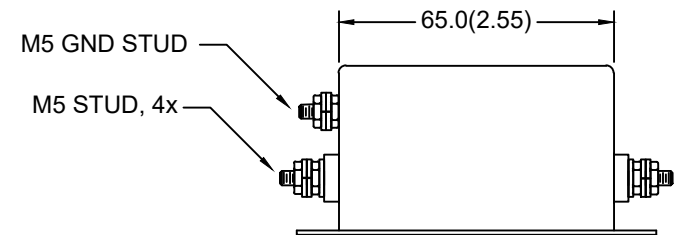
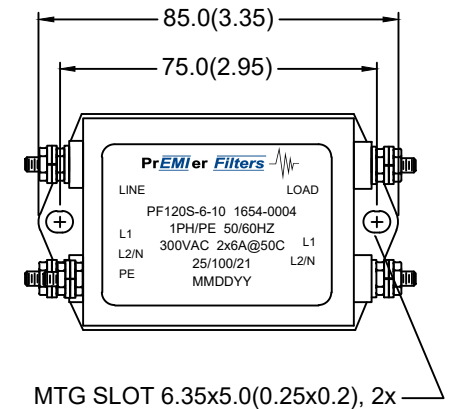
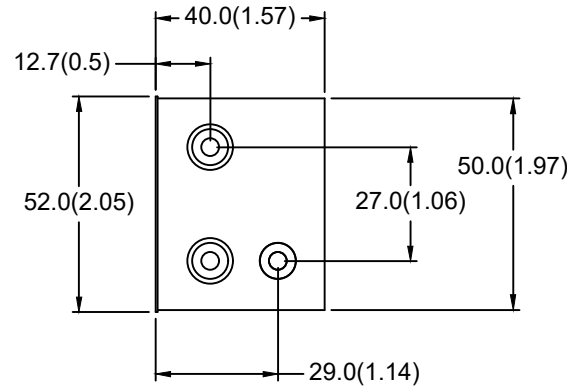


PF120S-6-10

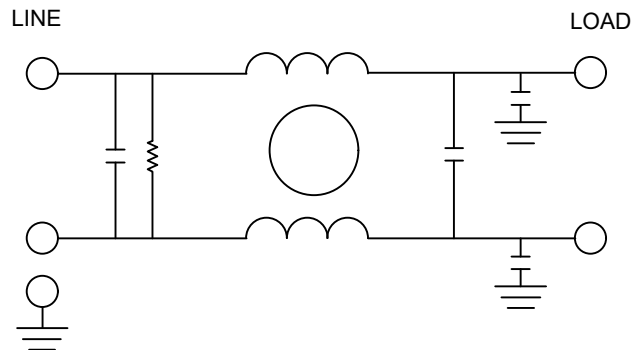
1PH COMMERCIAL/INDUSTRIAL FILTER
SINGLE STAGE / CHASSIS MOUNT

SPECIFICATIONS

MAX VOLTAGE: 0-300VAC
 MAX CURRENT: 6A/LINE
 USABLE FREQUENCY: 50/60/400HZ
 OPERATING TEMP.: -40 TO 50C
 LEAKAGE CURRENT (250V/60HZ): <1mA
 TYP. WEIGHT, LB(KG): 0.45(0.2)
 CLIMATIC CLASS: 25/100/21
 DESIGNED AND MANUFACTURED IN ACCORDANCE
 WITH THE FOLLOWING STANDARDS:
 EN60939-3
 CSA22.2 NO. 8
 LV DIRECTIVE



SCHEMATIC



TYPICAL INSERTION LOSS, 50/50 OHM

FREQ(HZ)	150K	500K	1M	10M	30M
CM, dB	44	48	56	50	42
DM, dB	28	37	52	60	62