

PF305S-40-100

3PH DELTA COMMERCIAL/INDUSTRIAL FILTER
SINGLE STAGE / CHASSIS MOUNT

SPECIFICATIONS

MAX VOLTAGE: 0-520VAC

MAX CURRENT: 40A/LINE

USABLE FREQUENCY: 50/60/400HZ

OPERATING TEMP.: -40 TO 50C

LEAKAGE CURRENT (250V/60HZ): <1mA

TYP. WEIGHT, LB(KG): 3.2(1.5)

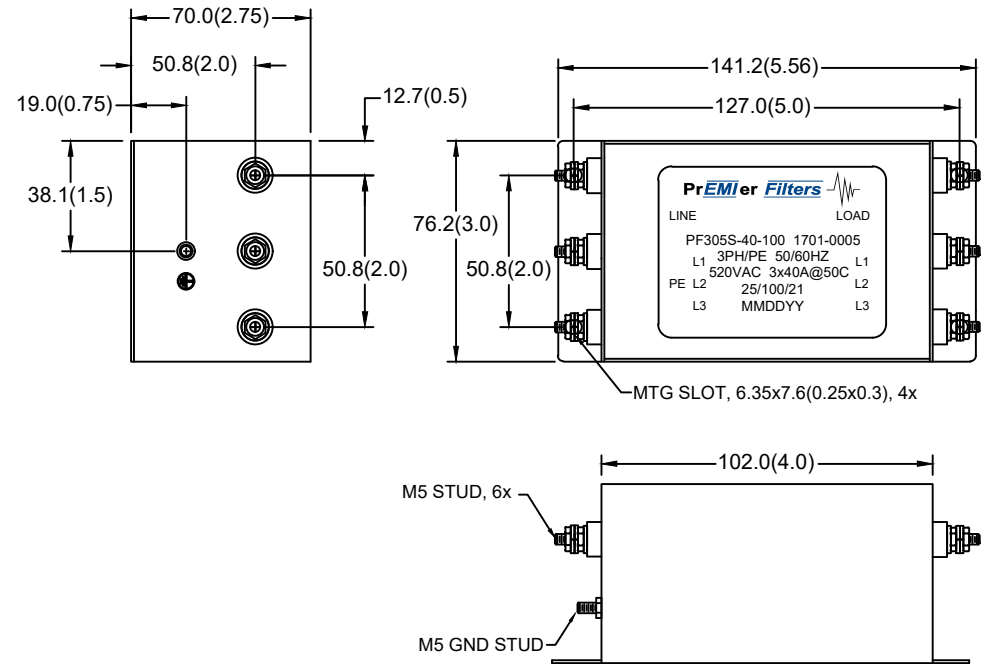
CLIMATIC CLASS: 25/100/21

DESIGNED AND MANUFACTURED IN ACCORDANCE
WITH THE FOLLOWING STANDARDS:

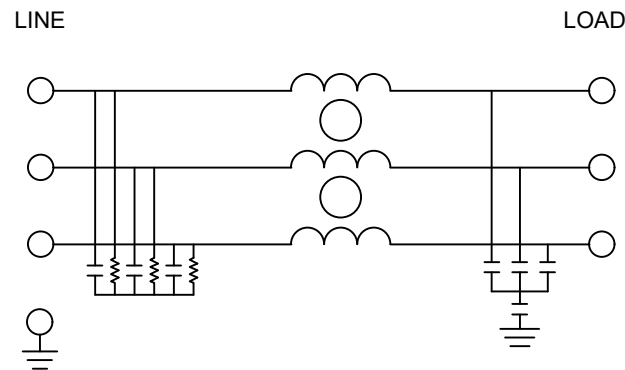
EN60939-3

CSA22.2 NO. 8

LV DIRECTIVE



SCHEMATIC



TYPICAL INSERTION LOSS, 50/50 OHM					
FREQ(HZ)	150K	500K	1M	10M	30M
CM, dB	48	56	60	54	42
DM, dB	42	62	74	70	62