



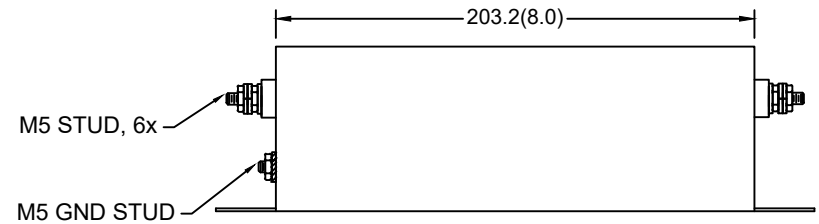
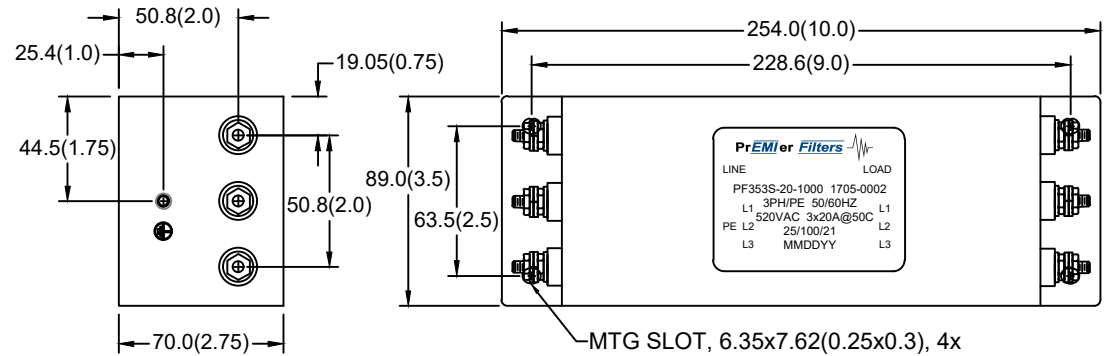
PF353S-20-1000

3PH DELTA COMMERCIAL/INDUSTRIAL FILTER  
DUAL STAGE / CHASSIS MOUNT

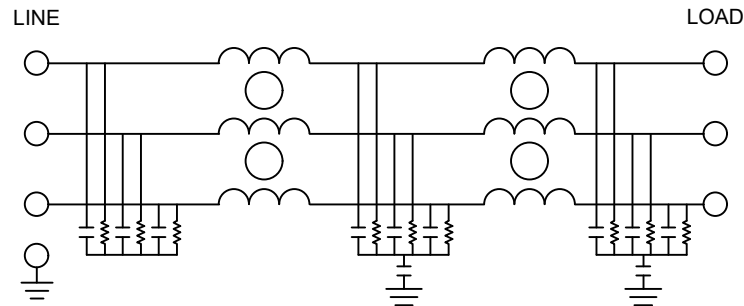
SPECIFICATIONS

- MAX VOLTAGE: 0-520VAC
- MAX CURRENT: 20A/LINE
- USABLE FREQUENCY: 50/60/400HZ
- OPERATING TEMP.: -40 TO 50C
- LEAKAGE CURRENT (250V/60HZ): <3.5mA
- TYP. WEIGHT, LB(KG): 6.5(2.95)
- CLIMATIC CLASS: 25/100/21
- DESIGNED AND MANUFACTURED IN ACCORDANCE  
WITH THE FOLLOWING STANDARDS:

  - EN60939-3
  - CSA22.2 NO. 8
  - LV DIRECTIVE



SCHMATIC



TYPICAL INSERTION LOSS, 50/50 OHM					
FREQ(HZ)	150K	500K	1M	10M	30M
CM, dB	68	75	80	66	45
DM, dB	70	76	78	72	75