

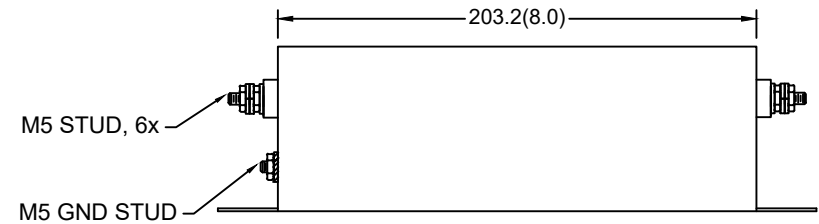
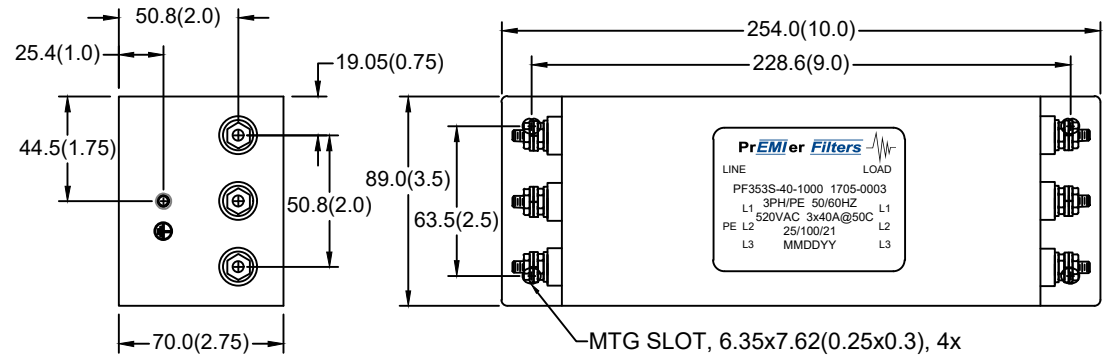
PF353S-40-1000

3PH DELTA COMMERCIAL/INDUSTRIAL FILTER DUAL STAGE / CHASSIS MOUNT

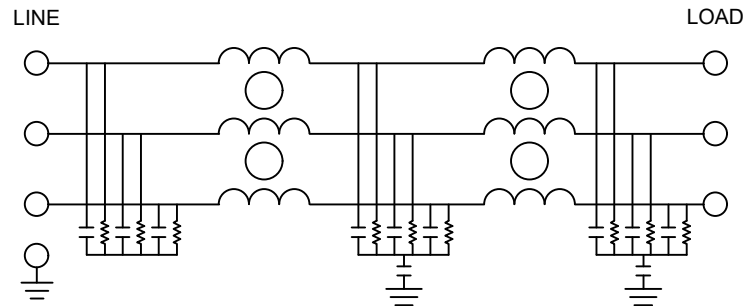
SPECIFICATIONS

- MAX VOLTAGE: 0-520VAC
- MAX CURRENT: 40A/LINE
- USABLE FREQUENCY: 50/60/400HZ
- OPERATING TEMP.: -40 TO 50C
- LEAKAGE CURRENT (250V/60HZ): <3.5mA
- TYP. WEIGHT, LB(KG): 6.5(2.95)
- CLIMATIC CLASS: 25/100/21
- DESIGNED AND MANUFACTURED IN ACCORDANCE
WITH THE FOLLOWING STANDARDS:

 - EN60939-3
 - CSA22.2 NO. 8
 - LV DIRECTIVE



SCHEMATIC



| TYPICAL INSERTION LOSS, 50/50 OHM | | | | | |
|-----------------------------------|------|------|----|-----|-----|
| FREQ(HZ) | 150K | 500K | 1M | 10M | 30M |
| CM, dB | 68 | 75 | 80 | 66 | 45 |
| DM, dB | 70 | 76 | 78 | 72 | 75 |