



PFM300S-10-100

3PH DELTA MILITARY FILTER

(E.G. MIL-STD-461, DO-160, ETC.)

**SPECIFICATIONS**

MAX VOLTAGE: 0-520VAC

MAX CURRENT: 10A/LINE

FREQUENCY: 50/60/400HZ

OPERATING TEMP.: -40 TO 70C

HI POT (L-G): 1800VDC

LEAKAGE CURRENT(@250V/60HZ): <3.5mA

TYP. WEIGHT, LB(KG): 2.8(1.27)

MANUFACTURED IN ACCORDANCE WITH

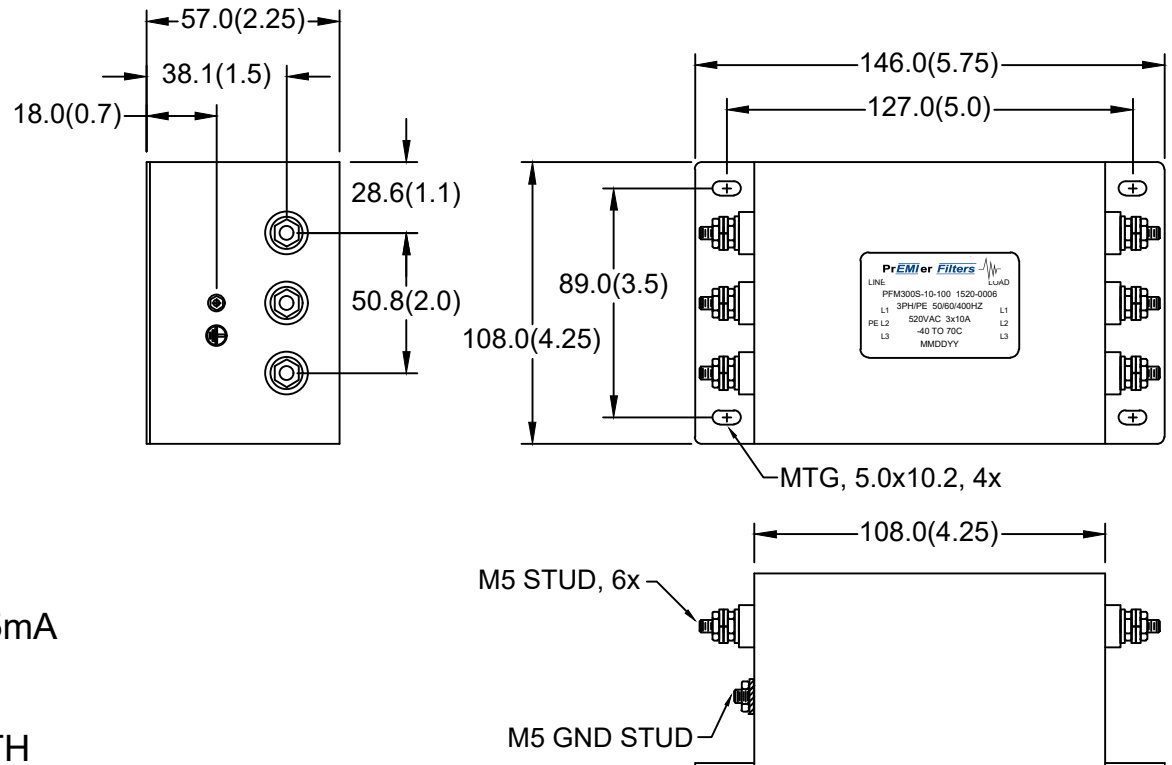
THE FOLLOWING STANDARDS:

UL1283

MIL-STD-220

MIL-F-15733

LV DIRECTIVE



TYPICAL INSERTION LOSS, 50/50 OHM					
FREQ(HZ)	10K	100K	500K	1M	10M
CM,dB	20	32	55	58	42
DM, dB	26	44	60	60	40

SPECIFICATIONS SUBJECT TO CHANGE