



PFM300S-30-100

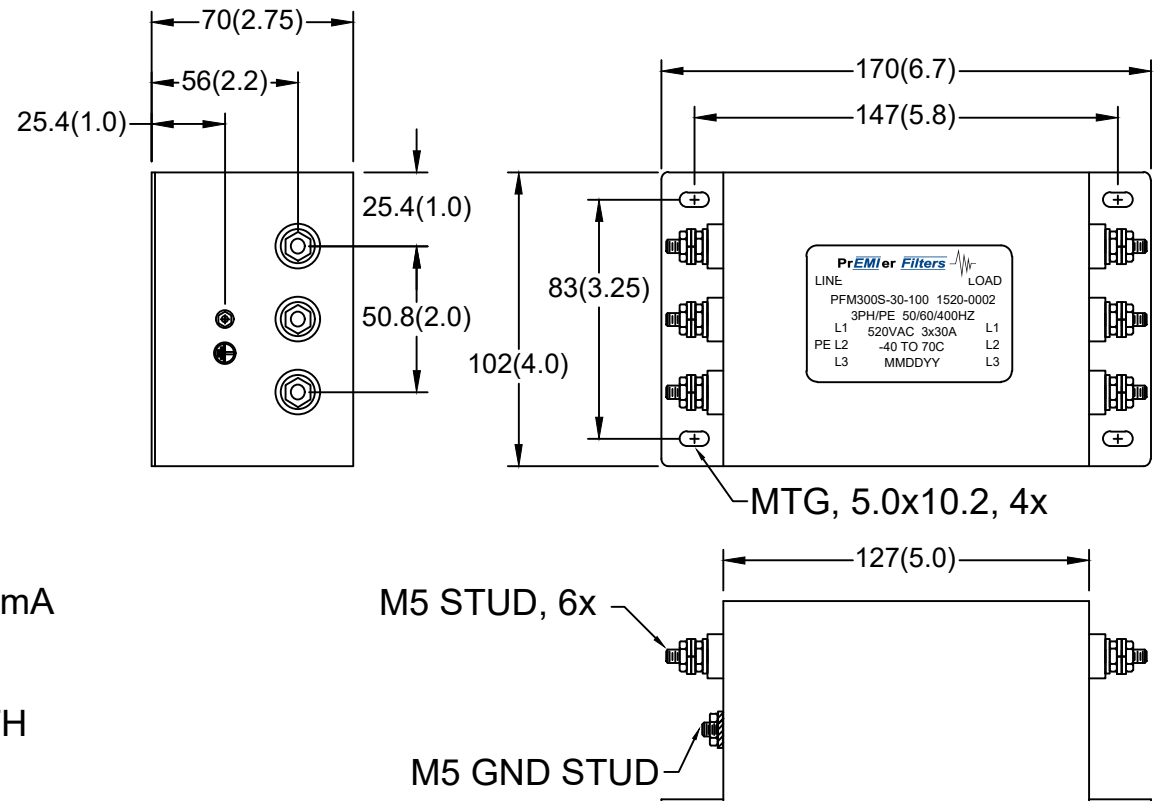
3PH DELTA MILITARY FILTER  
(E.G. MIL-STD-461, DO-160, ETC.)

**SPECIFICATIONS**

- MAX VOLTAGE: 0-520VAC
- MAX CURRENT: 30A/LINE
- FREQUENCY: 50/60/400HZ
- OPERATING TEMP.: -40 TO 70C
- HIPOT (L-G): 1800VDC
- LEAKAGE CURRENT(@250V/60HZ): <3.5mA
- TYP. WEIGHT, LB(KG): 6.0(2.7)
- MANUFACTURED IN ACCORDANCE WITH

THE FOLLOWING STANDARDS:

- UL1283
- MIL-STD-220
- MIL-F-15733
- LV DIRECTIVE



TYPICAL INSERTION LOSS, 50/50 OHM					
FREQ(HZ)	10K	100K	500K	1M	10M
CM,dB	20	32	55	58	42
DM, dB	26	44	60	60	40

SPECIFICATIONS SUBJECT TO CHANGE