

PFM55S-15-22

1PH MILITARY FILTER

(E.G. MIL-STD-461, DO-160, ETC.)

## SPECIFICATIONS

MAX VOLTAGE: 0-300VAC

MAX CURRENT: 15A/LINE

FREQUENCY: 50/60/400HZ

OPERATING TEMP.: -40 TO 70C

HI POT (L-G): 1800VDC

LEAKAGE CURRENT(@250V/60HZ): <3.5mA

TYP. WEIGHT, LB(KG): 0.45(0.2)

MANUFACTURED IN ACCORDANCE WITH

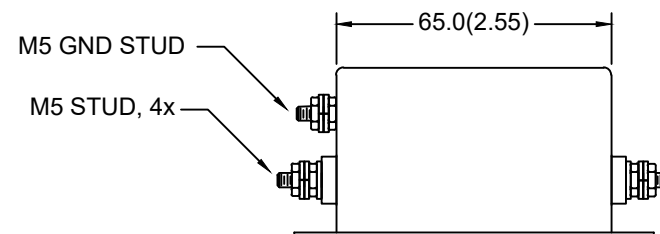
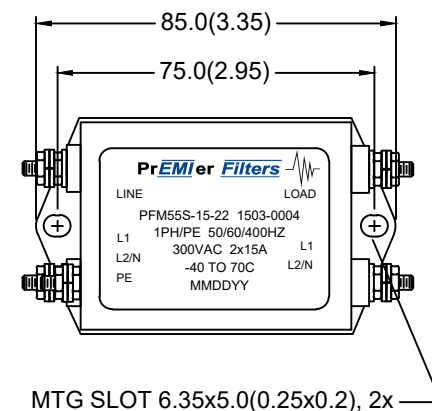
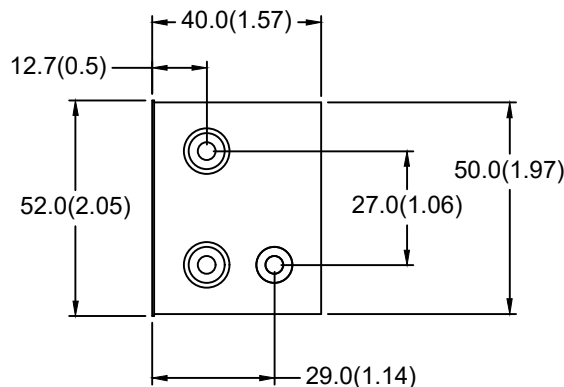
THE FOLLOWING STANDARDS:

UL1283

MIL-STD-220

MIL-F-15733

LV DIRECTIVE



## TYPICAL INSERTION LOSS, 50/50 OHM

FREQ(HZ)	10K	100K	500K	1M	10M
CM,dB	18	34	52	55	48
DM, dB	24	42	61	60	42