



PFM70S-40-10

1PH MILITARY FILTER

(E.G. MIL-STD-461, DO-160, ETC.)

**SPECIFICATIONS**

MAX VOLTAGE: 0-300VAC

MAX CURRENT: 40A/LINE

FREQUENCY: 50/60/400HZ

OPERATING TEMP.: -40 TO 70C

HIPO (L-G): 1800VDC

LEAKAGE CURRENT(@250V/60HZ): <1.0mA

TYP. WEIGHT, LB(KG): 1.8(0.82)

MANUFACTURED IN ACCORDANCE WITH

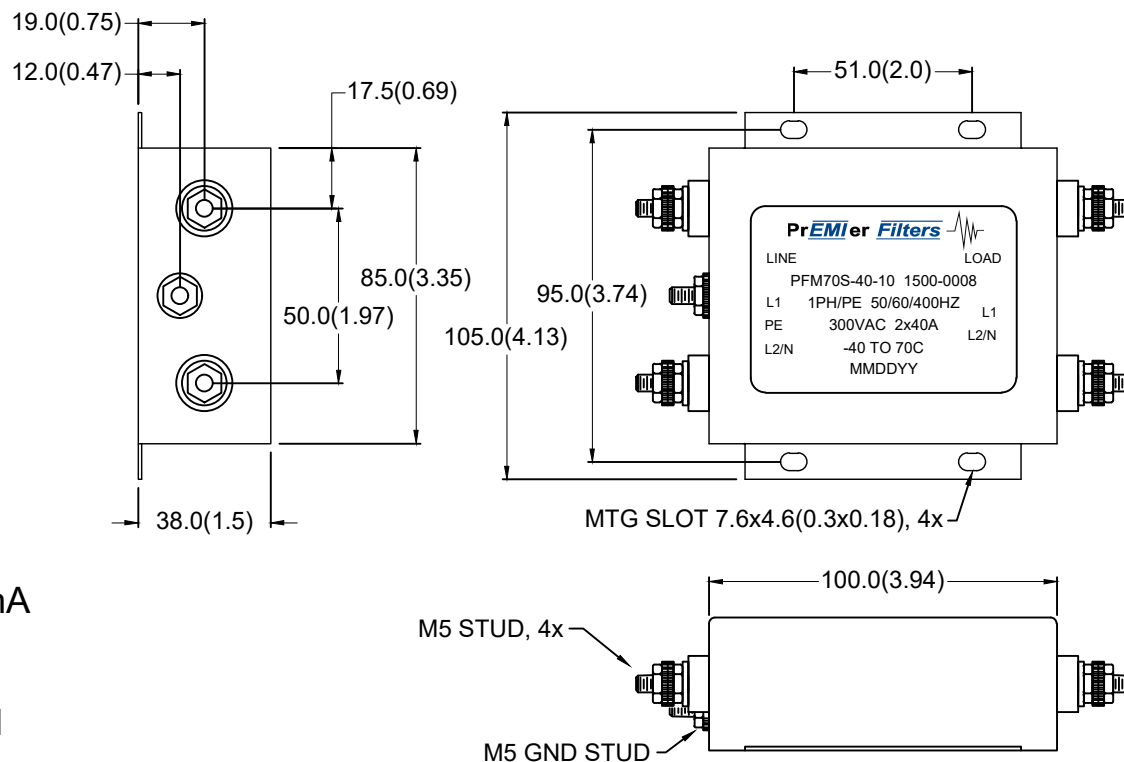
THE FOLLOWING STANDARDS:

UL1283

MIL-STD-220

MIL-F-15733

LV DIRECTIVE



| TYPICAL INSERTION LOSS, 50/50 OHM |     |      |      |    |     |
|-----------------------------------|-----|------|------|----|-----|
| FREQ(HZ)                          | 10K | 100K | 500K | 1M | 10M |
| CM,dB                             | 17  | 32   | 51   | 50 | 46  |
| DM, dB                            | 24  | 44   | 62   | 60 | 47  |

SPECIFICATIONS SUBJECT TO CHANGE

PFW70S-40-10

1PH MILITARY FILTER

(E.G. MIL-STD-461, DO-160, ETC.)

## SPECIFICATIONS

MAX VOLTAGE: 0-300VAC

MAX CURRENT: 40A/LINE

FREQUENCY: 50/60/400HZ

OPERATING TEMP.: -40 TO 70C

HIPOT (L-G): 1800VDC

LEAKAGE CURRENT(@250V/60HZ): <1.0mA

TYP. WEIGHT, LB(KG): 1.8(0.82)

MANUFACTURED IN ACCORDANCE WITH

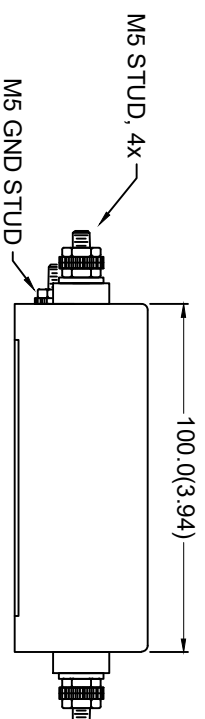
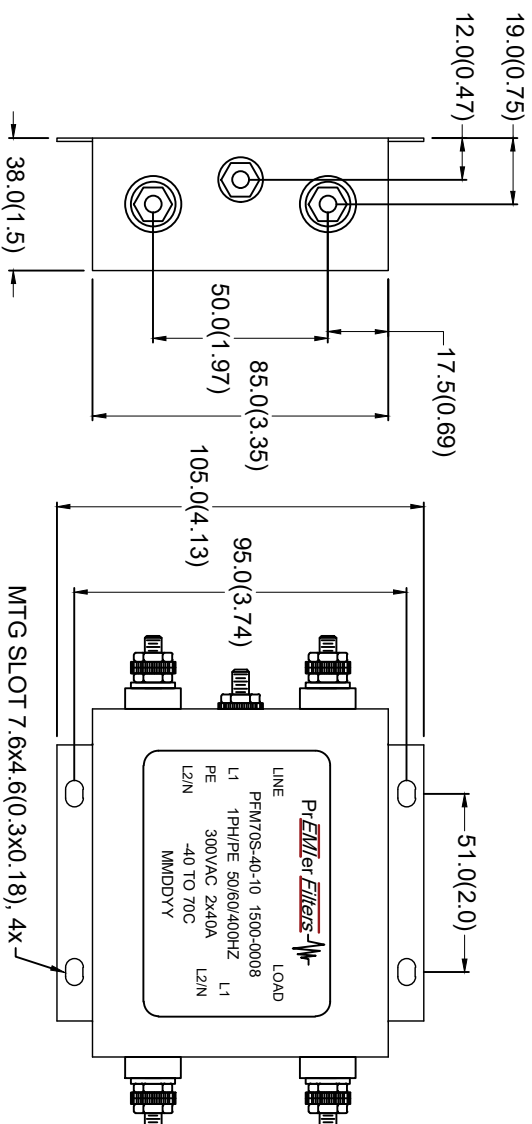
THE FOLLOWING STANDARDS:

UL1283

MIL-STD-220

MIL-F-15733

LV DIRECTIVE



## TYPICAL INSERTION LOSS, 50/50 OHM

| FREQ(HZ) | 10K | 100K | 500K | 1M | 10M |
|----------|-----|------|------|----|-----|
| CM, dB   | 17  | 32   | 51   | 50 | 46  |
| DM, dB   | 24  | 44   | 62   | 60 | 47  |



PFM70S-40-10

1PH MILITARY FILTER

(E.G. MIL-STD-461, DO-160, ETC.)

**SPECIFICATIONS**

MAX VOLTAGE: 0-300VAC

MAX CURRENT: 40A/LINE

FREQUENCY: 50/60/400HZ

OPERATING TEMP.: -40 TO 70C

HI POT (L-G): 1800VDC

LEAKAGE CURRENT(@250V/60HZ): <1.0mA

TYP. WEIGHT, LB(KG): 1.8(0.82)

MANUFACTURED IN ACCORDANCE WITH

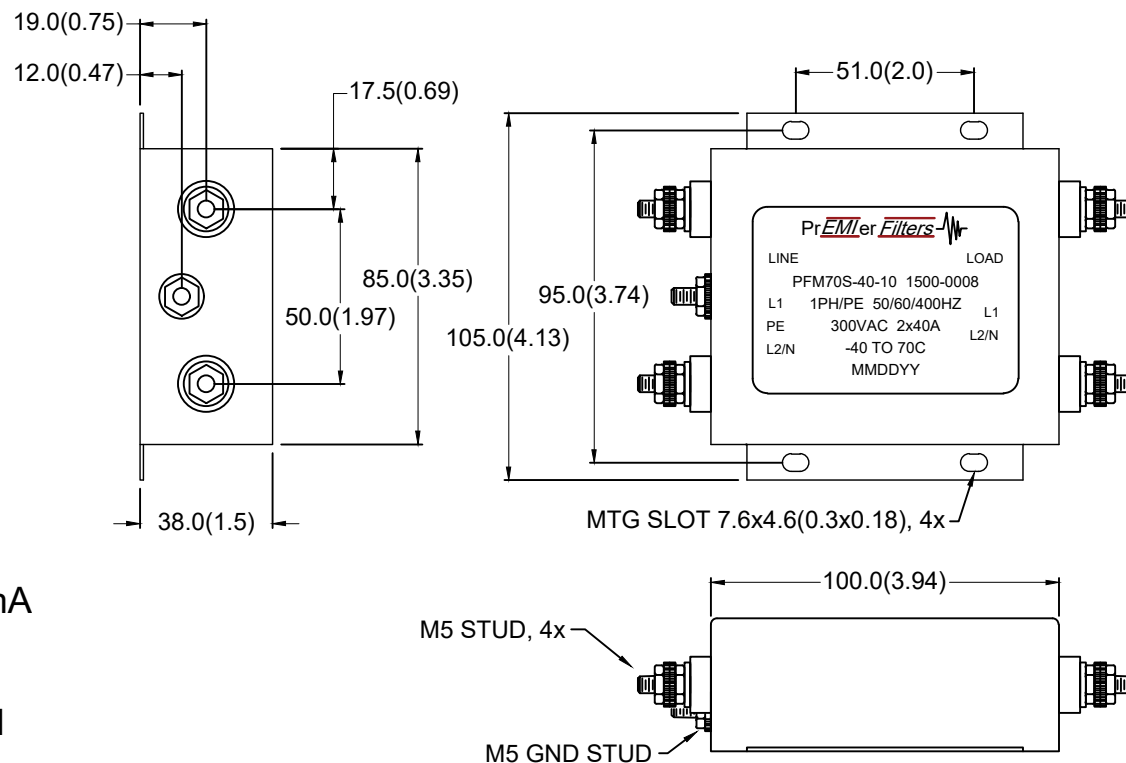
THE FOLLOWING STANDARDS:

UL1283

MIL-STD-220

MIL-F-15733

LV DIRECTIVE



| TYPICAL INSERTION LOSS, 50/50 OHM |     |      |      |    |     |
|-----------------------------------|-----|------|------|----|-----|
| FREQ(HZ)                          | 10K | 100K | 500K | 1M | 10M |
| CM,dB                             | 17  | 32   | 51   | 50 | 46  |
| DM, dB                            | 24  | 44   | 62   | 60 | 47  |

SPECIFICATIONS SUBJECT TO CHANGE