

PFM77S-10-22

1PH MILITARY FILTER

(E.G. MIL-STD-461, DO-160, ETC.)

1U HEIGHT APPLICATIONS

SPECIFICATIONS

MAX VOLTAGE: 0-300VAC

MAX CURRENT: 10A/LINE

FREQUENCY: 50/60/400HZ

OPERATING TEMP.: -40 TO 70C

HI POT (L-G): 1800VDC

LEAKAGE CURRENT(@250V/60HZ): <3.5mA

TYP. WEIGHT, LB(KG): 4.5(2.05)

MANUFACTURED IN ACCORDANCE WITH

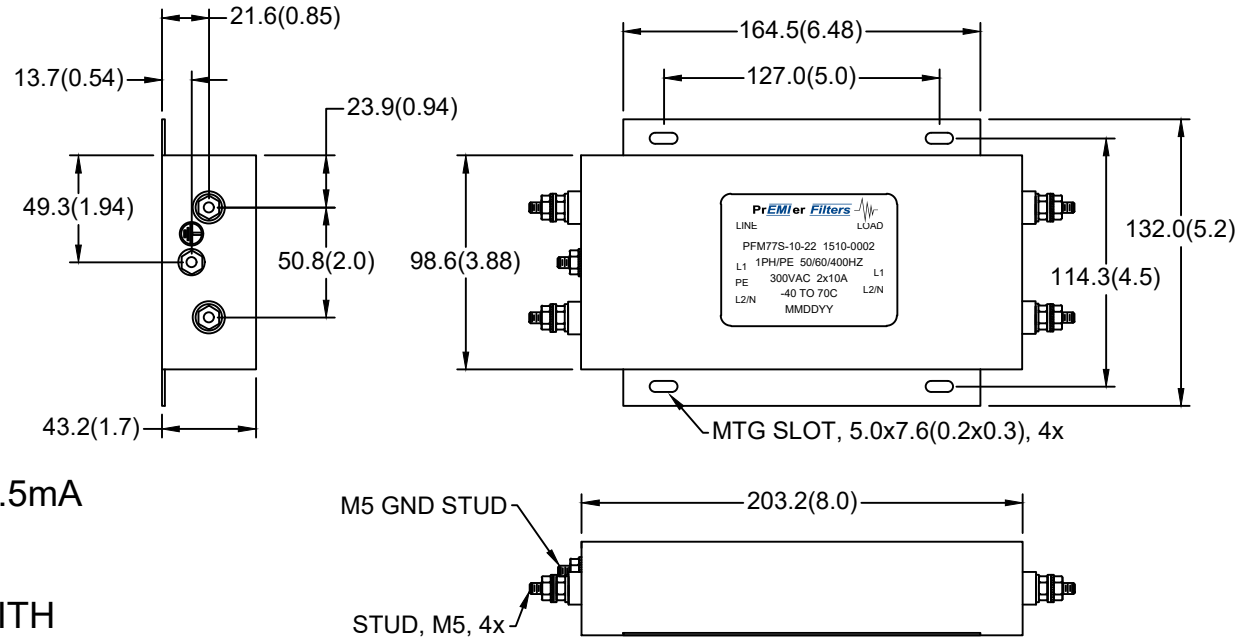
THE FOLLOWING STANDARDS:

UL1283

MIL-STD-220

MIL-F-15733

LV DIRECTIVE



TYPICAL INSERTION LOSS, 50/50 OHM

| FREQ(HZ) | 10K | 100K | 500K | 1M | 10M |
|----------|-----|------|------|----|-----|
| CM,dB | 19 | 34 | 54 | 52 | 52 |
| DM, dB | 24 | 44 | 62 | 60 | 47 |