



PFM80S-15-10

1PH MILITARY FILTER

(E.G. MIL-STD-461, DO-160, ETC.)

SPECIFICATIONS

MAX VOLTAGE: 0-300VAC

MAX CURRENT: 15A/LINE

FREQUENCY: 50/60/400HZ

OPERATING TEMP.: -40 TO 70C

HI POT (L-G): 1800VDC

LEAKAGE CURRENT(@250V/60HZ): <1.0mA

TYP. WEIGHT, LB(KG): 2.8(1.27)

MANUFACTURED IN ACCORDANCE WITH

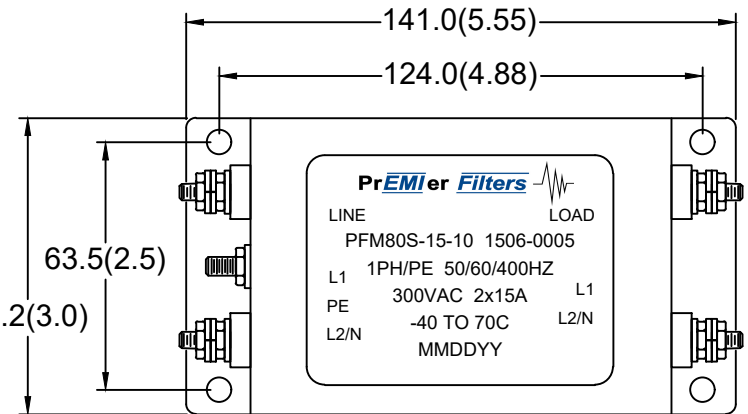
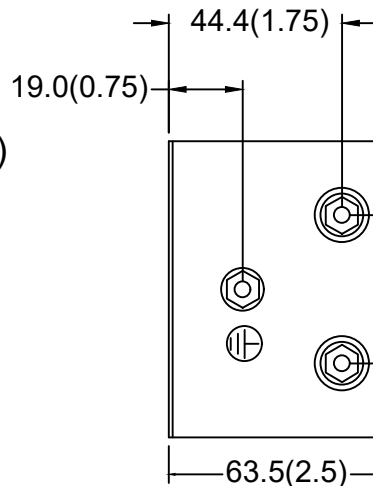
THE FOLLOWING STANDARDS:

UL1283

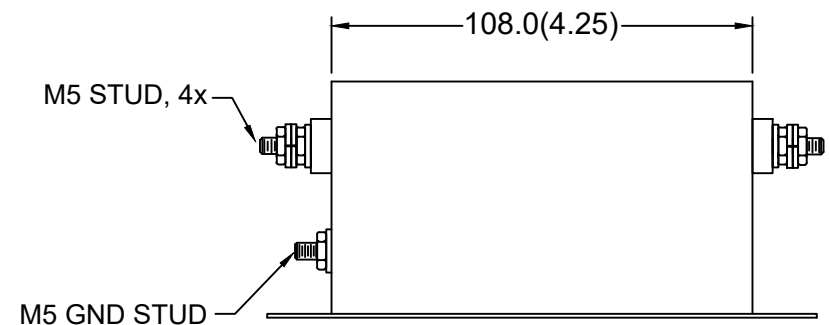
MIL-STD-220

MIL-F-15733

LV DIRECTIVE



PrEMier Filters
 LINE LOAD
 PFM80S-15-10 1506-0005
 L1 1PH/PE 50/60/400HZ L1
 PE 300VAC 2x15A L2/N
 L2/N -40 TO 70C L2/N
 MMDDYY



TYPICAL INSERTION LOSS, 50/50 OHM					
FREQ(HZ)	10K	100K	500K	1M	10M
CM,dB	22	38	57	52	50
DM, dB	28	48	60	62	45