

PFMT222S-100
2-LINE + GND TEMPEST FILTER
100dB@10KHZ

SPECIFICATIONS

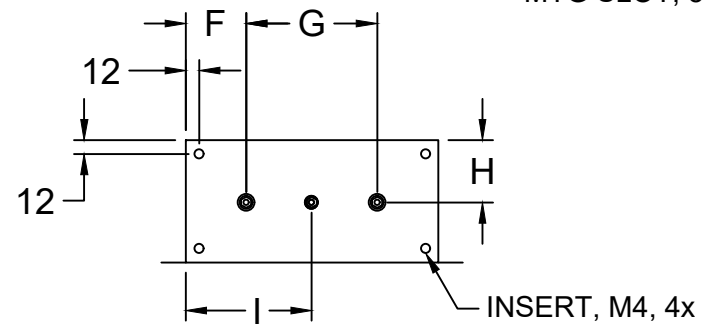
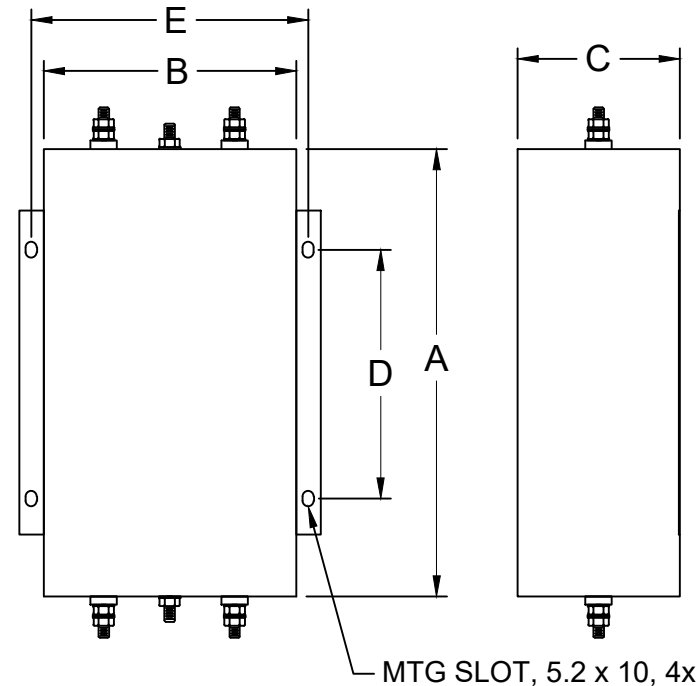
- MAX VOLTAGE: 0-277/0-480VAC
- MAX CURRENT: 100A/LINE
- FREQUENCY: 50/60HZ
- OPERATING TEMP.: -40 TO 70C
- HIPOT (L-G): 2200VDC
 (PRIOR TO INSTALLING DISCHARGE RESISTORS)
- DISCHARGE VOLT. (@277V): <30V IN 30S
- OVERLOAD: 140% RATED CURRENT FOR 15 MINUTES
- PERFORMANCE: >100dB (10KHZ TO 20GHZ)
- DESIGNED IN ACCORDANCE WITH THE
 FOLLOWING STANDARDS:

- MIL-STD-220
- MIL-F-15733
- MIL-STD-810
- LV DIRECTIVE



CONFORMS TO
 UL STD 1283

5025116



MODEL	AMPS	TERMINALS	DIMENSIONS (MM)									WEIGHT LBS(KG)
			A	B	C	D	E	F	G	H	I	
PFMT222S-100	100	M6	254	140	102	204	160	40	60	51	70	14 (6.4)
			(10)	(5.5)	(4)	(8)	(6.3)	(1.57)	(2.36)	(2)	(2.75)	