



**PFMF301S-20**  
**1-LINE SCIF/TEMPEST FILTER**

**SPECIFICATIONS**

MAX VOLTAGE: 0-277VAC

MAX CURRENT: 20A/LINE

FREQUENCY: 50/60HZ

OPERATING TEMP.: -40 TO 65C

HIPOT (L-G): 2200VDC

(PRIOR TO INSTALLING DISCHARGE RESISTORS)

DISCHARGE VOLT. (@277V): <30V IN 30S

VOLT. DROP: <2% MAX AT FULL RATED UNITY LOAD

OVERLOAD: 140% RATED CURRENT FOR 15 MINUTES

PERFORMANCE: >100dB (14KHZ TO 40GHZ)

SHIELDING EFFECTIVENESS: >100dB (14KHZ TO 40GHZ)

ENCLOSURE: NEMA 1 (16GA MINIMUM)

MANUFACTURED IN ACCORDANCE WITH

THE FOLLOWING STANDARDS:

MIL-STD-220

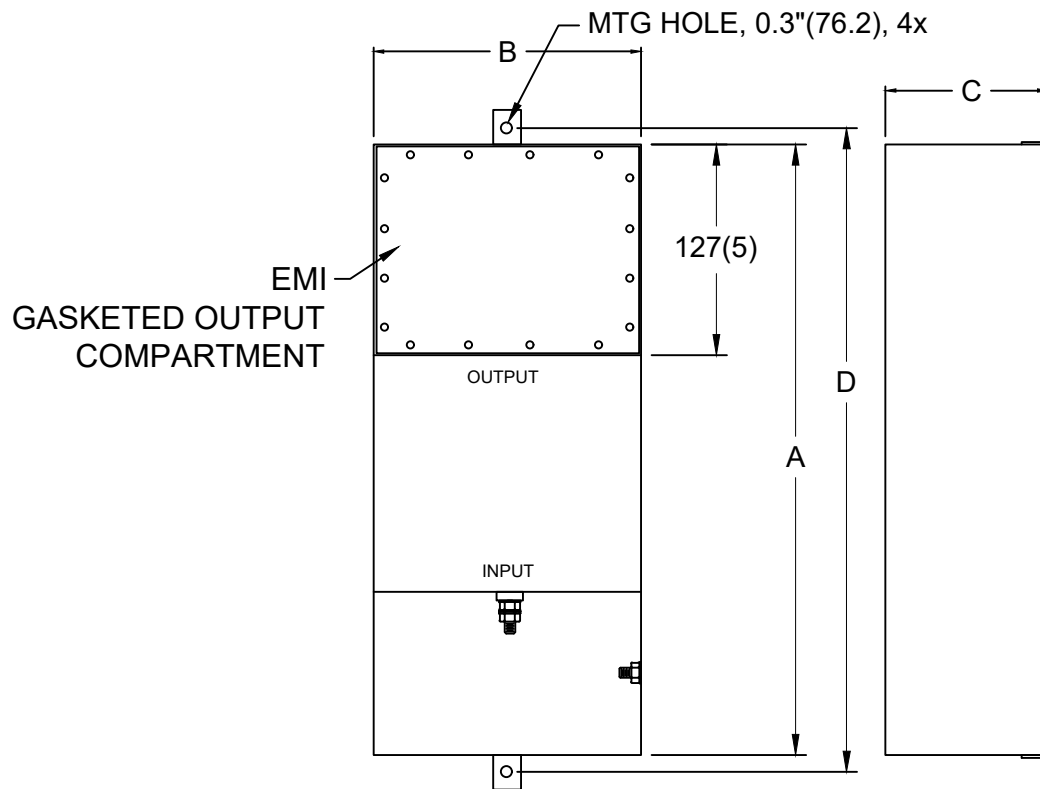
MIL-F-15733

MIL-STD-810

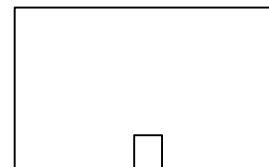
LV DIRECTIVE



CONFORMS TO  
 UL STD 1283



(INPUT COVER REMOVED)



**NOTES:**

1. CONDUIT CUTOUTS BY END USER.
2. FILTER IS BIDIRECTIONAL. IF INSTALLING FILTER INTERNAL TO SCIF RUN POWER INPUT WIRING INTO FILTER EMI GASKETED OUTPUT COMPARTMENT.

MODEL	AMPS	TERMINAL	DIMENSIONS, MM(IN)				WEIGHT LB(KG)
			A	B	C	D	
PFMF301S-20	20	M6	508	102	127	546	15 (6.8)
			(20)	(4)	(5)	(21.5)	