

PFMF370-250-1

1-LINE + GND SCIF/FACILITY FILTER

SPECIFICATIONS

MAX VOLTAGE: 0-277VAC

MAX CURRENT: 250A/LINE

FREQUENCY: 50/60HZ

OPERATING TEMP.: -40 TO 65C

HIPOT (L-G): 2200VDC (PRIOR TO INSTALLING DISCHARGE RESISTORS)

DISCHARGE VOLT. (@277V): <30V IN 30S

VOLT. DROP: <2% MAX AT FULL RATED UNITY LOAD

OVERLOAD: 140% RATED CURRENT FOR 15 MINUTES

PERFORMANCE: 100dB (14KHZ TO 40GHZ)

MANUFACTURED IN ACCORDANCE WITH

THE FOLLOWING STANDARDS:

MIL-STD-220

MIL-F-15733

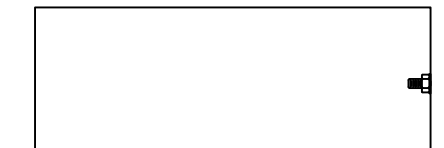
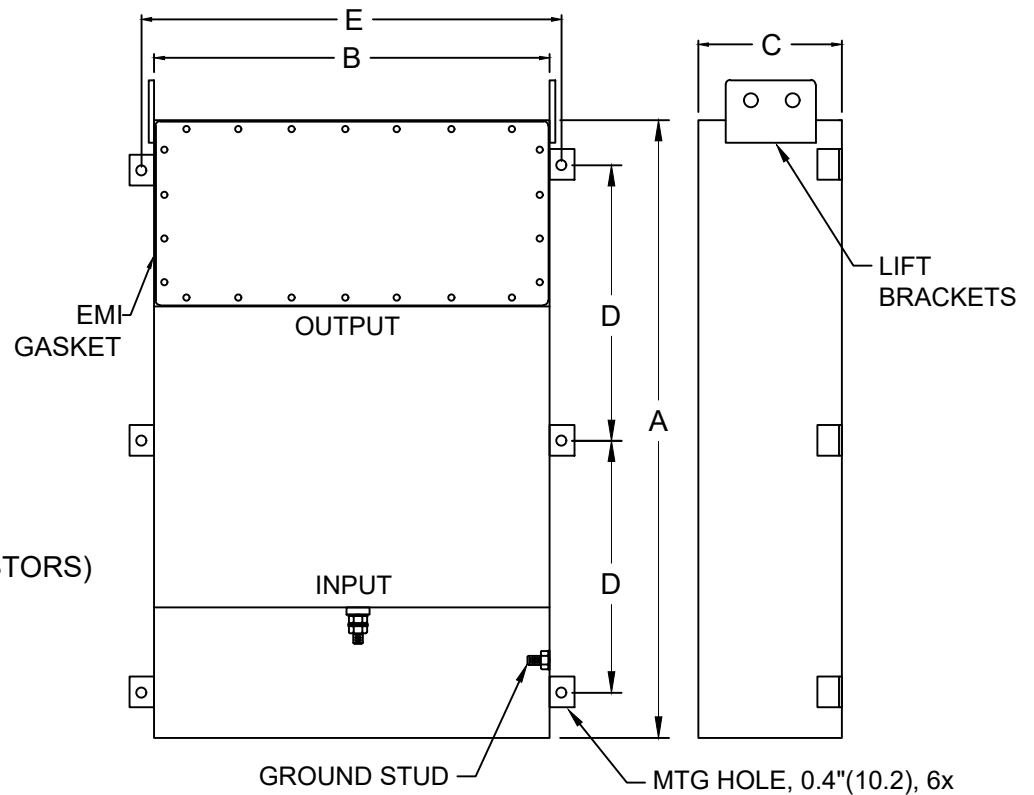
MIL-STD-810

LV DIRECTIVE



Intertek
5025116

CONFORMS TO
UL STD 1283



INPUT AND OUTPUT CONDUIT/WIRE PENETRATIONS BY END USER.

MODEL	AMPS	TERMINAL	DIMENSIONS, MM(IN)					WEIGHT LBS(KG)
			A	B	C	D	E	
PFMF370-250-1	250	M12	1219	235	254	559	286	90 (40.9)
			(48)	(9.25)	(10)	(22)	(11.3)	