

PFMF370-600-1

1-LINE + GND SCIF/FACILITY FILTER

SPECIFICATIONS

MAX VOLTAGE: 0-277VAC

MAX CURRENT: 600A/LINE

FREQUENCY: 50/60HZ

OPERATING TEMP.: -40 TO 65C

HIPOT (L-G): 2200VDC (PRIOR TO INSTALLING DISCHARGE RESISTORS)

DISCHARGE VOLT. (@277V): <30V IN 30S

VOLT. DROP: <2% MAX AT FULL RATED UNITY LOAD

OVERLOAD: 140% RATED CURRENT FOR 15 MINUTES

PERFORMANCE: 100dB (14KHZ TO 40GHZ)

MANUFACTURED IN ACCORDANCE WITH

THE FOLLOWING STANDARDS:

MIL-STD-220

MIL-F-15733

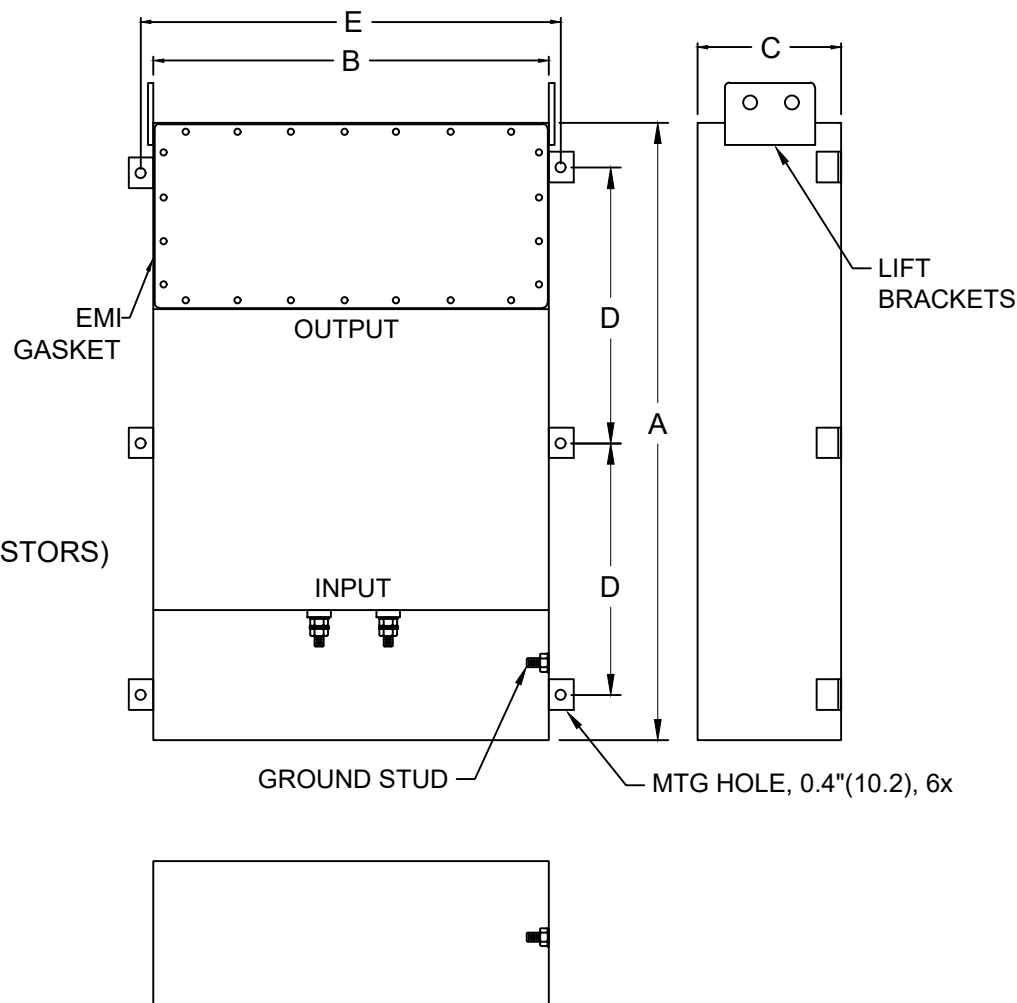
MIL-STD-810

LV DIRECTIVE



Intertek
5025116

CONFORMS TO
UL STD 1283



INPUT AND OUTPUT CONDUIT/WIRE PENETRATIONS BY END USER.

MODEL	AMPS	TERMINAL	DIMENSIONS - MM (IN)					WEIGHT LBS(KG)
			A	B	C	D	E	
PFMF370-600-1	600	2xM16	1879	355	380	889	406	305 (138.6)
			(74)	(14)	(15)	(35)	(16)	