



**PFMF370-5000-3**  
**3-LINE + GND SCIF/TEMPEST FILTER**  
**INDIVIDUAL MODULES WITH END TERMINATION BOXES**

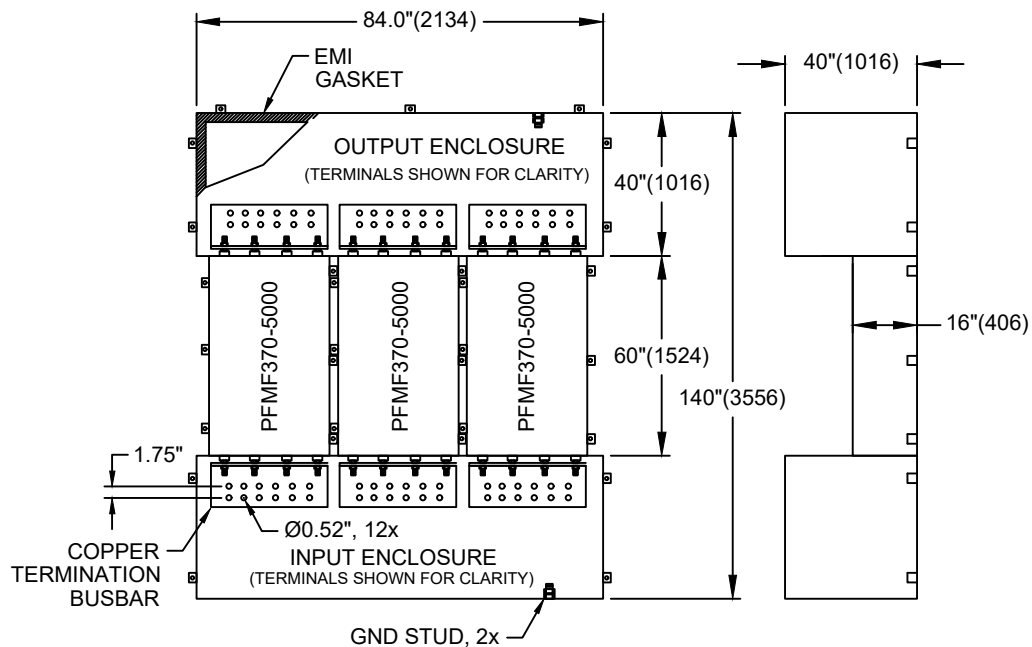
**SPECIFICATIONS**

VOLTAGE: 0-277/0-480VAC  
 CURRENT: 5000A/LINE  
 FREQUENCY: 50/60HZ  
 OPER. TEMP.: -40 TO 65C  
 HIPOT (LG): 2200VDC  
 DISCHARGE VOLT.: <30V IN 30S  
 VOLTAGE DROP: <2% AT FULL RATED UNITY LOAD  
 OVERLOAD: 140% RATED CURRENT FOR 15 MINUTES  
 TERMINALS: 8x24MM/LINE WITH COPPER

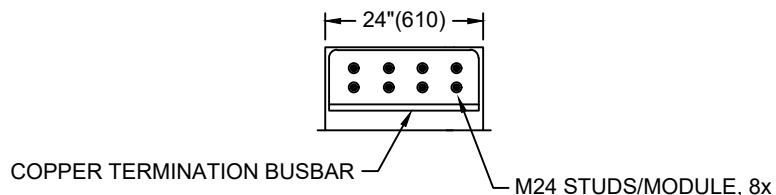
**MOUNTING BRACKET**

EST. WEIGHT, LB(KG): 4620(2100)  
 PERFORMANCE: >100dB (14KHZ TO 40GHZ)  
 MANUFACTURED IN ACCORDANCE WITH THE  
 FOLLOWING STANDARDS:

- UL1283
- MIL-STD-220
- MIL-STD-810
- MIL-F-15733



**PER LINE END VIEW**



INPUT AND OUTPUT CONDUIT PENETRATIONS BY END USER  
 OPTIONAL MTG LEGS AVAILABLE PER CUSTOMER SPECIFICATIONS  
 VERTICAL INSTALLATION REQUIRES SECUREMENT TO WALL OR SIMILAR STRUCTURE  
 COPPER TERMINATION BUSBAR CAN BE MODIFIED PER CUSTOMER SPECIFICATIONS