



PFMH1000-32-2 2-LINE + GND HEMP FILTER

SPECIFICATIONS

MAX VOLTAGE: 0-277/0-480VAC

MAX CURRENT: 32A/LINE

FREQUENCY: 50/60HZ

OPERATING TEMP.: -40 TO 65C

HIPOT (L-G): 2200VDC

(PRIOR TO INSTALLING DISCHARGE RESISTORS)

DISCHARGE VOLT. (@277V): <30V IN 30S

VOLT. DROP: <2% MAX AT FULL RATED UNITY LOAD

OVERLOAD: 140% RATED CURRENT FOR 15 MINUTES

CURRENT HARMONICS: <2.5% (UNITY PF LOAD)

RF/SHIELDING EFFECTIVENESS: >100dB (14KHZ TO 10GHZ)

ENCLOSURE: NEMA 1 (14GA MINIMUM)

DESIGNED AND MANUFACTURED IN ACCORDANCE WITH
THE FOLLOWING STANDARDS:

MIL-STD-188-125-1A

MIL-STD-220

MIL-F-15733

MIL-STD-810

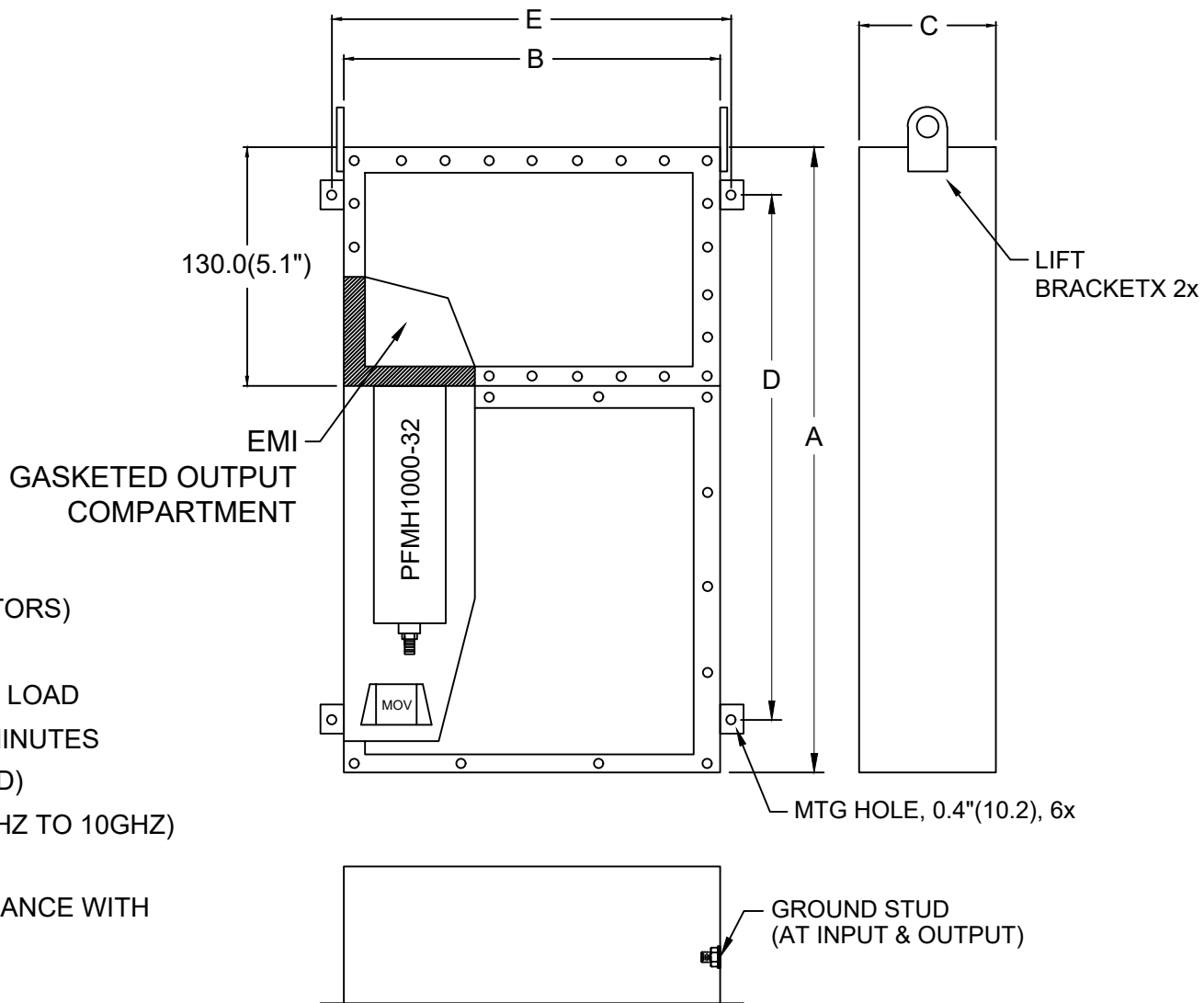
MIL-STD-202

MIL-STD-285



5025116

CONFORMS TO
UL STD 1283



CONDUIT CUTOUTS BY END USER

MODEL / PN	AMPS	TERMINAL	DIMENSIONS (MM)					WEIGHT LBS(KG)
			A	B	C	D	E	
PFMH1000-32-2	32	M6	559	254	137	406	305	45 (20.5)
			22	10	5.4	16	12	