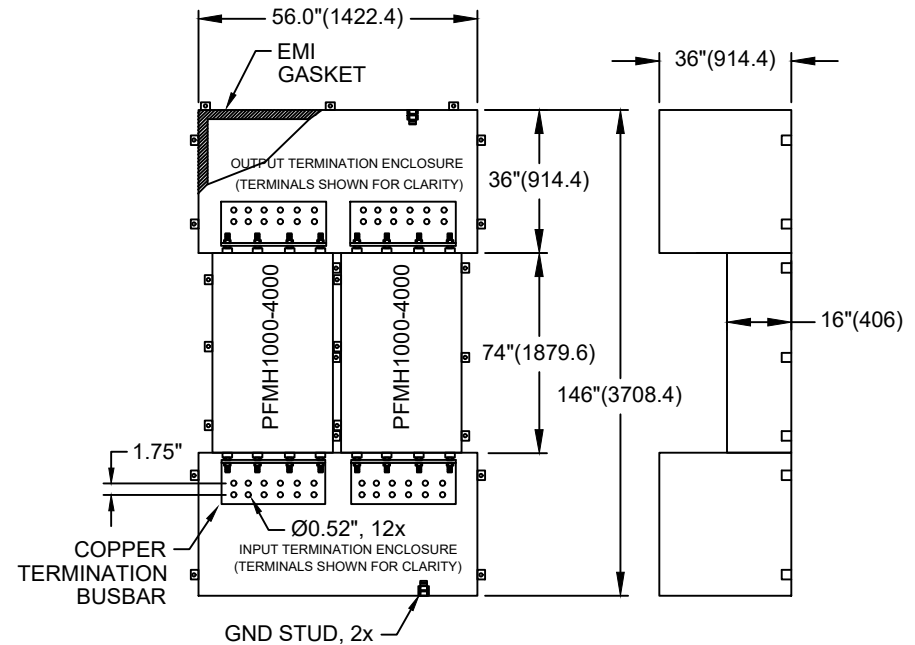




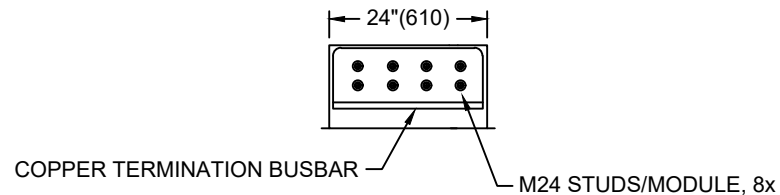
PFMH1000-4000-2
2-LINE + GND HEMP FILTER
INDIVIDUAL MODULES WITH END TERMINATION BOXES

SPECIFICATIONS

- VOLTAGE: 0-277/0-480VAC
- CURRENT: 4000A/LINE
- FREQUENCY: 50/60HZ
- OPER. TEMP.: -40 TO 65C
- HIPOT (LG): 2200VDC
- DISCHARGE VOLT.: <30V IN 30S
- VOLTAGE DROP: <2% AT FULL RATED UNITY LOAD
- OVERLOAD: 140% RATED CURRENT FOR 15 MINUTES
- TERMINALS: 8x24MM/LINE WITH COPPER MOUNTING BRACKET
- EST. WEIGHT, LB(KG): 3120(1418.2)
- SHIELDING EFFECTIVENESS: >100dB (14KHZ TO 10GHZ)
- ENCLOSURE: NEMA 1 (12GA MINIMUM)
- MANUFACTURED IN ACCORDANCE WITH THE FOLLOWING STANDARDS:
 - MIL-STD-188-125-1A
 - MIL-STD-220
 - MIL-STD-810
 - MIL-F-15733
 - MIL-STD-202
 - MIL-STD-285



PER LINE END VIEW



- INPUT AND OUTPUT CONDUIT PENETRATIONS BY END USER
- OPTIONAL MTG LEGS AVAILABLE PER CUSTOMER SPECIFICATIONS
- VERTICAL INSTALLATION REQUIRES SECUREMENT TO WALL OR SIMILAR STRUCTURE
- COPPER TERMINATION BUSBAR CAN BE MODIFIED PER CUSTOMER SPECIFICATIONS