



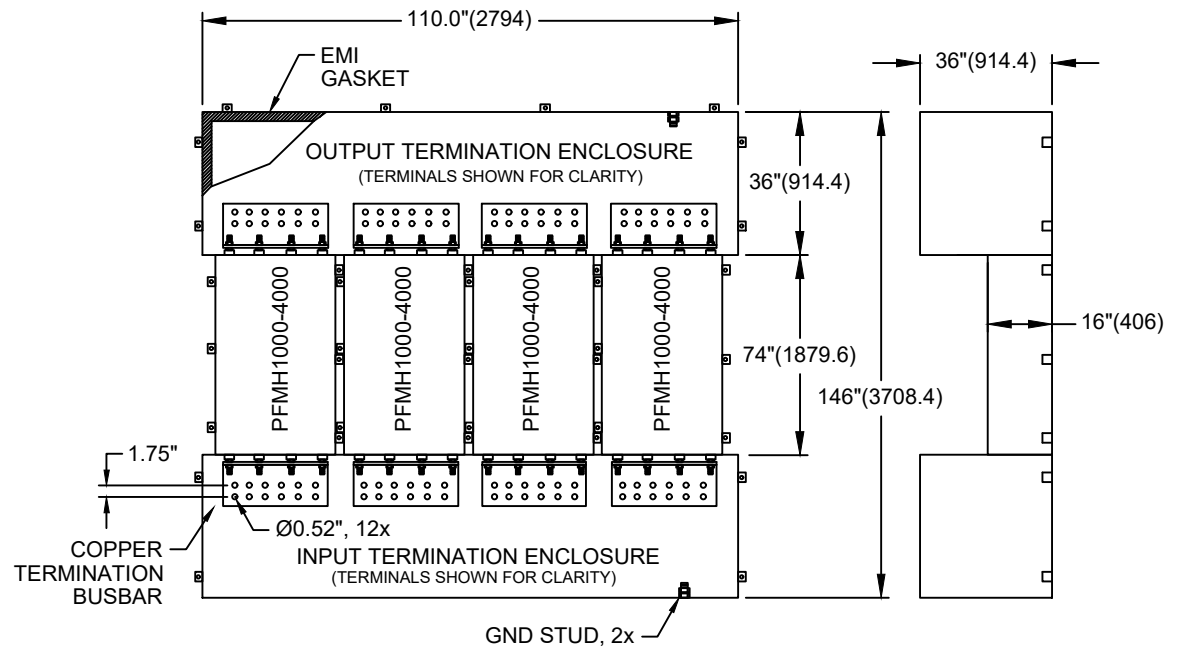
PFMH1000-4000-4
4-LINE + GND HEMP FILTER
INDIVIDUAL MODULES WITH END TERMINATION BOXES

SPECIFICATIONS

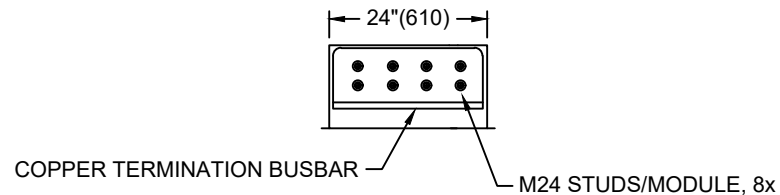
VOLTAGE: 0-277/0-480VAC
 CURRENT: 4000A/LINE
 FREQUENCY: 50/60HZ
 OPER. TEMP.: -40 TO 65C
 HIPOT (LG): 2200VDC
 DISCHARGE VOLT.: <30V IN 30S
 VOLTAGE DROP: <2% AT FULL RATED UNITY LOAD
 OVERLOAD: 140% RATED CURRENT FOR 15 MINUTES
 TERMINALS: 8x24MM/LINE WITH COPPER
 MOUNTING BRACKET

EST. WEIGHT, LB(KG): 5960(2709)
 SHIELDING EFFECTIVENESS: >100dB (14KHZ TO 10GHZ)
 ENCLOSURE: NEMA 1 (12GA MINIMUM)
 MANUFACTURED IN ACCORDANCE WITH THE
 FOLLOWING STANDARDS:

- MIL-STD-188-125-1A
- MIL-STD-220
- MIL-STD-810
- MIL-F-15733
- MIL-STD-202
- MIL-STD-285



PER LINE END VIEW



INPUT AND OUTPUT CONDUIT PENETRATIONS BY END USER
 OPTIONAL MTG LEGS AVAILABLE PER CUSTOMER SPECIFICATIONS
 VERTICAL INSTALLATION REQUIRES SECUREMENT TO WALL OR SIMILAR STRUCTURE
 COPPER TERMINATION BUSBAR CAN BE MODIFIED PER CUSTOMER SPECIFICATIONS