



## PFMH1000-63-3 3-LINE + GND HEMP FILTER

### SPECIFICATIONS

MAX VOLTAGE: 0-277/0-480VAC

MAX CURRENT: 63A/LINE

FREQUENCY: 50/60HZ

OPERATING TEMP.: -40 TO 65C

HIPOT (L-G): 2200VDC

(PRIOR TO INSTALLING DISCHARGE RESISTORS)

DISCHARGE VOLT. (@277V): <30V IN 30S

VOLT. DROP: <2% MAX AT FULL RATED UNITY LOAD

OVERLOAD: 140% RATED CURRENT FOR 15 MINUTES

CURRENT HARMONICS: <2.5% (UNITY PF LOAD)

RF/SHIELDING EFFECTIVENESS: >100dB (14KHZ TO 10GHZ)

ENCLOSURE: NEMA 1 (14GA MINIMUM)

DESIGNED AND MANUFACTURED IN ACCORDANCE WITH  
THE FOLLOWING STANDARDS:

MIL-STD-188-125-1A

MIL-STD-220

MIL-F-15733

MIL-STD-810

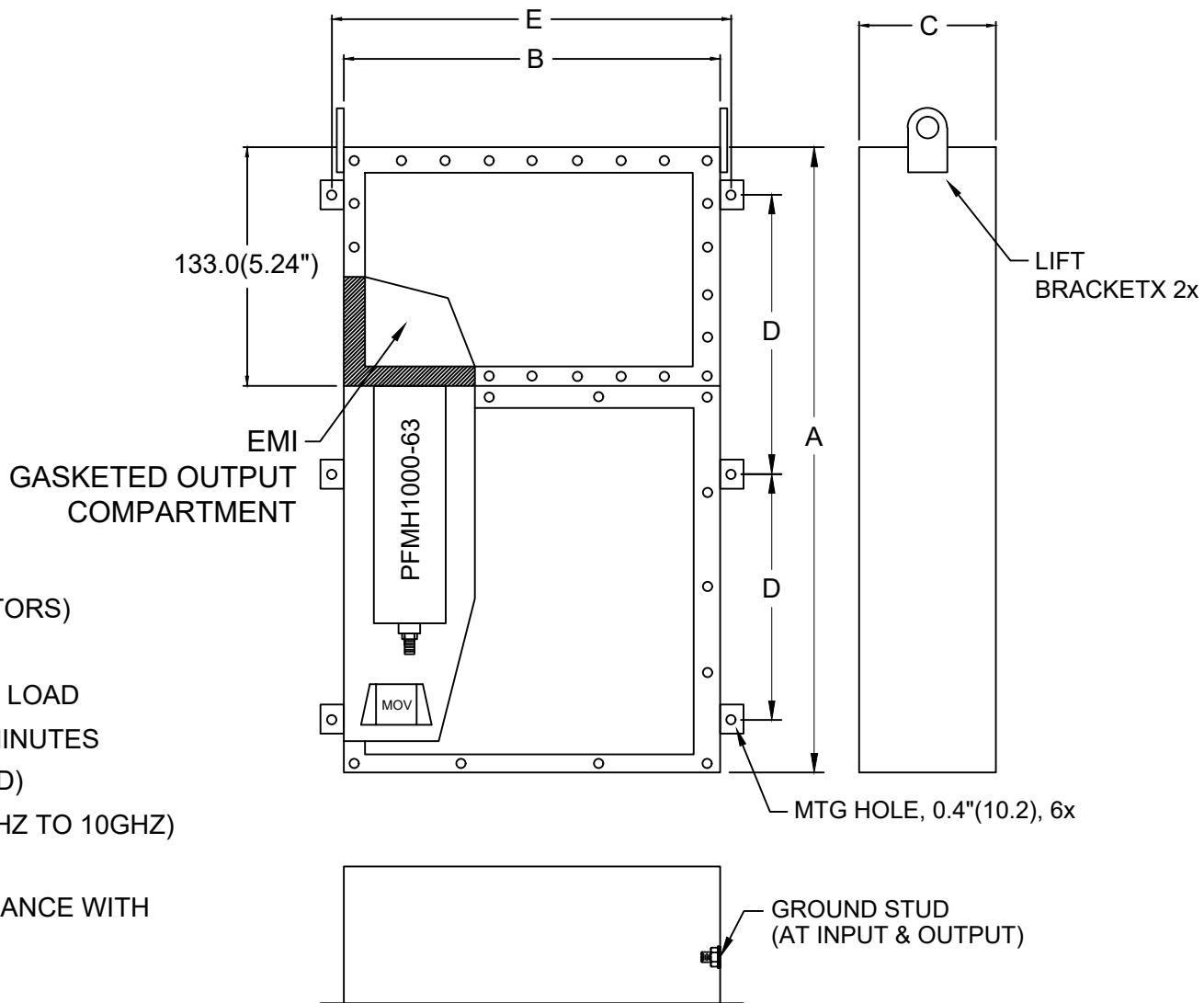
MIL-STD-202

MIL-STD-285



Intertek  
5025116

CONFORMS TO  
UL STD 1283



CONDUIT CUTOUTS BY END USER

| MODEL / PN    | AMPS | TERMINAL | DIMENSIONS (MM) |     |     |     |     | WEIGHT LBS(KG) |
|---------------|------|----------|-----------------|-----|-----|-----|-----|----------------|
|               |      |          | A               | B   | C   | D   | E   |                |
| PFMH1000-63-3 | 63   | M10      | 627             | 483 | 183 | 254 | 533 | 160 (72.7)     |
|               |      |          | 24.7            | 19  | 7.2 | 10  | 21  |                |